

EDGEWISE OPENING ANGLE METER - RF Series



RF-15T

RF-15, RF-10

- * Potentiometer detection can make indicate for converts in the electric resistance.
- * With specify its possible output the direct current signal which is proportionate to change the electric resistance.
- * It is optimum various plants, as one for instrumentation related to water processing.

Features

- ▶ High performance and high reliability meter.
- ▶ Zero and span adjustment is possible adjust from front of meter.
- ▶ Possible to built-in the direct current output (DC4~20mA) which is proportion to input.
- ▶ Measurement point and TAG No. can be indicated in the name board of the top and bottom meter.
- ▶ Meter can be attached and removed from front of panel.



RF-10T

Specification List of RF Series

STANDARD SPECIFICATION FOR INDICATOR PART

ITEM		SPECIAL SPECIFICATION (TRANSDUCER OUTPUT)
Type name		RF-15, RF-10
Standard		JISC 1102: 2007 [Electric Indicating Meter Direct Acting Type] Compliant IEC 60051-1 Compliant
Class		RF-15: 1.0 class RF-10: 2.5 class
Pontentiometer	Resistance value	100Ω, 200Ω, 500Ω, 1kΩ, 2kΩ
	Exploitation range	50% or above of total resistance value Please specify if up to 100% is necessary
Range of zero adjustment		±15%
Range of span adjustment		±15%
Voltage of Auxiliary Power		AC100V ±15% (50/60Hz) 1.2VA
Support system		Pivot system
Swing angle of meter		45°
Dimension meter from front		F-15:150×40mm F-10:100×30mm
Length of scale		RF-15: 90mm RF-10: 66mm
Plate of scale		White color
Pointer		Triangle (Red)
Installation		Lengthwise installation, widthwise installation.
Material panel		Please specify for iron or non-iron plate.
Thickness of panel		Below 7mm
Color of cover		Black: Munsell N1.5
Material case		F-15: Almi-diecast F-10: Flame-retarded ABS resin Mounting frame and base is integral structure
Insulation resistance		Between electric circuit and outer case DC500V, 50MΩ or more
Voltage test		Between electric circuit and outer case AC3320V, between 5 sec.
Operated temperature humidity range		-10~55°C, Average day temperature is below 40°C, 25~85% RH
Storage temperature range		-20~70°C

Specification List of RF Series

SPECIAL SPECIFICATION

ITEM		SPECIFICATION
Scale	Color line	Red, Green, Yellow (Please specify)
	Color area (bar)	Red, Green, Yellow (Please specify)
	Double scale	Please specify
	Double seal	Please specify
	Max. scale section	F-15: 100 section, F-10: 75 section
	Special mark	Please specify
Tropical specification		Rust preventative, 「FOR TROPICS」 will display at the name plate.
Pointer		Stick-type (Black) combine use with multiple scale etc.

STANDARD SPECIFICATION OF TRANSDUCER OUTPUT (OPTION)

ITEM		SPECIFICATION
Meter mounting position		Horizontal, Inclination installation (angle specified)
Transducer output (Standard specification)	Output (resistance load)	DC4~20mA (0~300Ω)
	Responsivity	Below 1 sec.
	Tolerance	±0.5%
	Insulation resistance	DC500V, 50MΩ or above: Between electric circuit and outer case.
	Withstand voltage	AC3320V, between 5 sec.: Between electric circuit and outer case.

* Between terminal input and output is non-insulated.

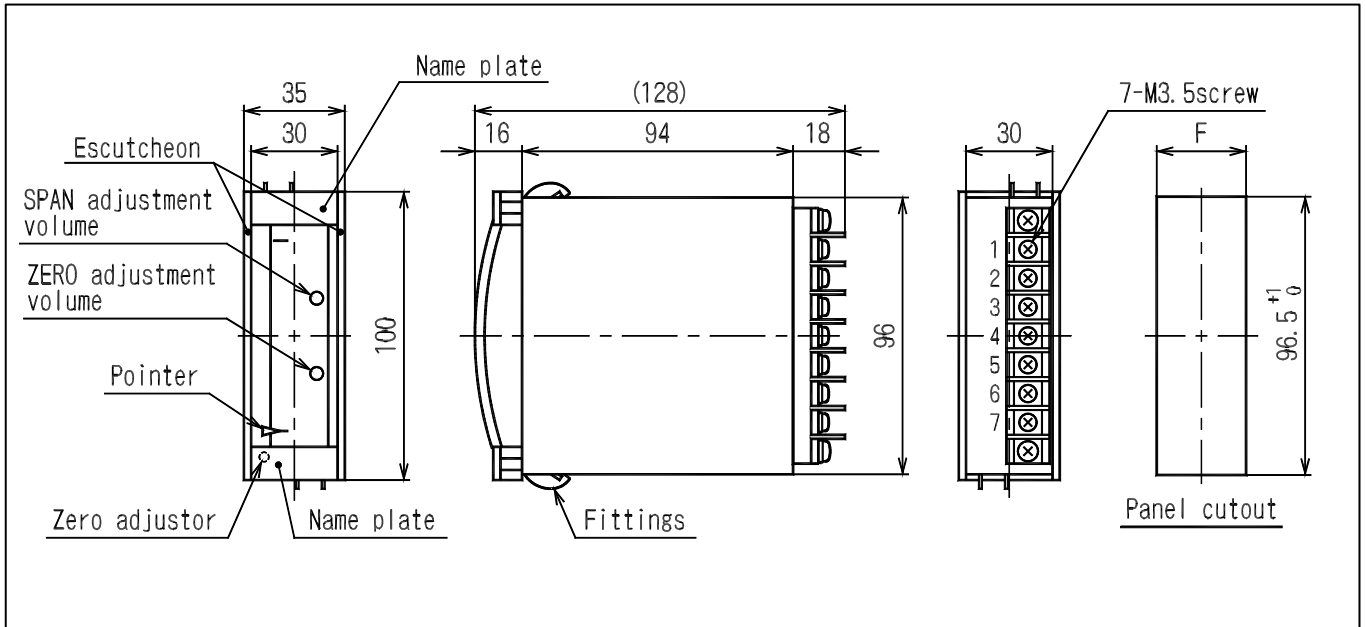
Specify below item when make order

- | | |
|---|----------------------------------|
| 1) Type name | 4) Color of cover |
| 2) Max. scale value | 5) Option (DC output signal) |
| 3) Resistance value and use selection range of potentionmeter | 6) Option (letter at name board) |

Specification List of RF Series

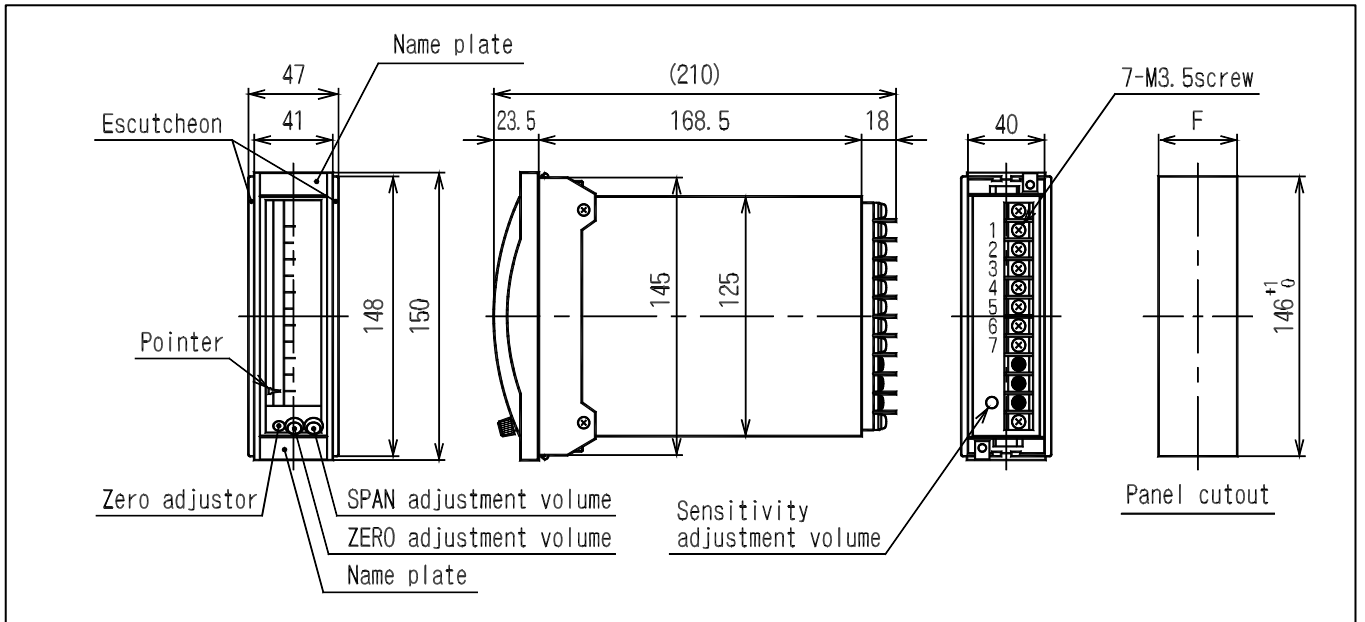
DIMENSIONS DRAWING

RF-10



F	
1 unit	2 unit or more
31^{+1}_0	$(30.2 \times n)^{+1}_0 + 1$

RF-15



F	
1 unit	2 unit or more
41^{+1}_0	$(41.1 \times n)^{+1}_0$