

§ PLUG-IN SWITCHER §

SWITCHER

VOLTAGE/CURRENT SIGNAL SWITCHER

RP - 2

Use

This device can be used to switch industrial measurement signal. Switching is possible by selection signal of no-voltage contact input.

Features

1. Withstand voltage between selection terminal/auxiliary supply/outer case is AC2, 000V (50/60Hz) for 1 min..
2. In the case of switching current signal, measures against open of output terminal are provided by using an internal M.B.B contact type relay.
3. Impulse withstand voltage between electric circuit and outer case 5kV 1.2/50μs, positive/negative polarity 3 times each is guaranteed.

Specification

Switching signal	Auxiliary supply
A : DC4-20mA	1 : AC100V±10%, 50/60Hz
V : 1-5V	2 : AC110V±10%, 50/60Hz
0 : other than those above	3 : AC200V±10%, 50/60Hz
However, DC40mA MAX DC20V MAX	4 : AC220V±10%, 50/60Hz
	5 : DC24V±10%

Standard specification

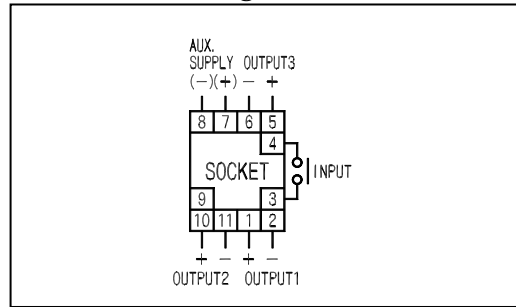
Item	Current signal	Voltage signal		
switching signal	DC4-20mA (DC40mA MAX)	DC1-5V (DC20V MAX)		
Minimum switching signal	DC10μA	DC10mV		
Selection signal	No-voltage contact input (switching voltage/current DC12V, 34mA)			
Auxiliary supply	AC100/110V or AC200/220V (50/60Hz)	3VA	AC100/110V or AC200/220V (50/60Hz)	3VA
	DC24V	2W	DC24V	2W
Weight	400g			
Appearance color	Munsell N1.5 (black)			
Operating temperature/ humidity range	-10- + 55 , 5-90% RH (no condensation)			
Storage temperature range	-40- + 70			



RP-2A1

(80 × 50 × 133mm/400g)

Connection diagram



Contact arrangement

Condition	Voltage signal switching	Current signal switching
	RP-2V <input type="checkbox"/>	RP-2A <input type="checkbox"/>
No power source		
3-4 OFF		
On switching OFF ⇄ ON		
3-4 ON		

Purchase specifications

