

MULTIPLYING/DIVIDING TRANSDUCER

CMLTP1 - □ □ □

Use

A transducer does multiplying and dividing of 3 inputs. By a programming unit (CCM-1), it is possible to change a parameter or output a simulated output for a loop test.

Features

1. Constant voltage/current output.
2. Withstand voltage between electric circuit and outer case
AC2, 000V (50/60Hz), AC1, 500V (50/60Hz) for 1 minute between input/output and auxiliary supply, or AC1, 500V (50/60Hz) for 1 minute between input and output.
3. Plus/minus input/output is not manufacturable.
4. Impulse withstands voltage 5kV, 1.2/50µs (between electric circuit and outer case), and positive/ negative polarity 3 times each is guaranteed.

Specification

Input (input resistance)	Output (load resistance)	Auxiliary supply	Common specification
AS : DC1-5V (approx.1M) C7 : DC4-20mA (approx.100) 00 : other than those above	1 : DC0-100mV (200) 2 : DC0-1V (200) 3 : DC0-5V (1k) 4 : DC 0-10V (2k) 5 : DC1-5V (1k) A : DC0-1mA (12k) B : DC0-5mA (2.4k) C : DC0-10mA (1.2k) D : DC0-16mA (750) E : DC1-5mA (3k) F : DC4-20mA (750) H : DC4-20mA (800) DC1-5V (250k) SW switching 0 : other than those above	1 : AC100V(+10%, -15%),50/60Hz 2 : AC110V(+10%, -15%),50/60Hz 3 : AC200V(+10%, -15%) 50/60Hz 4 : AC220V(+10%, -15%), 50/60Hz 5 : DC24V(+10%, -15%) 0 : other than those above	Tolerance (when gain is 1): ± 0.25% (only when each input is more than or equal to 5%) Consumption VA: AC power source:2.5VA DC power source:3.0W Weight: AC power source:500g DC power source:400g

Open of current output: even if the current output terminal is used in a state of regular open, there is no problem. Also, a voltage of approx. 25V occurs on the output terminal.

Operational expression

Input: X₁-X₃ (0-100%)

Output: X₀ (0-100%)

Operational expression : $X_0 = K_0 \frac{(K_1 X_1 + A_1)(K_2 X_2 + A_2)}{(K_3 X_3 + A_3)} + A_0$

Gain: K₀-K₃ (±29.999)

Bias: A₀-A₃ (±299.99%)

Factory preset

Products are shipped in the following setting.
(Can be changed by specification)

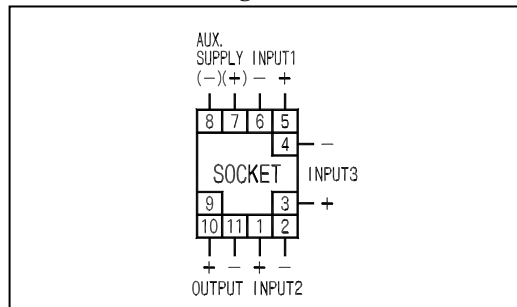
PARAMETER	
NO.	DATA
A ₁	0.0%
A ₂	0.0%
A ₃	0.0%
A ₀	0.0%
K ₁	1.0
K ₂	1.0
K ₃	1.0
K ₀	1.0



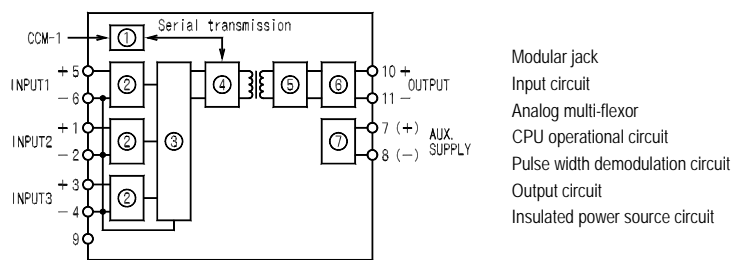
CMLTP1-C7H1

(80 × 50 × 133mm/500g)

Connection diagram



Block diagram



Purchase specifications

