

DC Receiving Indicator Meter (Moving Coil Type) - P XK

Receiving indicator meter for ammeter or voltmeter can be used to receive electrical signals from detectors or transmitters, and measure various physical quantities, electric power, power factor, and frequency. Scale values and input electrical quantities can be manufactured to specifications.

For example:

Scale 100% **Input electric DC3V**
Scale 0~2MPa **Input electric DC4~20mA**

Meters with built-in variable resistors for input voltage correction (standard $\pm 20\%$) can also be manufactured.

DC RECEIVING INDICATOR

Input Electrical Quantity	Approx. Internal Resistance	Input Electrical Quantity	Consumption Current
	PXK-120C, 100C, 80C, 60C		PXK-120C, 100C, 80C, 60C
100 μ A ⁽¹⁾	2.1K Ω	1V	1mA ⁽³⁾
500 μ A	240 Ω	2V	
1mA	120 Ω	1~5V ⁽²⁾	
2mA	11 Ω	5V	
5mA	12 Ω	10V	
10mA	3.2 Ω	20V	
20mA	2.8 Ω	50V	
4~20mA ⁽²⁾	2.8 Ω	∞	
10~50mA ⁽²⁾	1.5 Ω	300V	

Note:

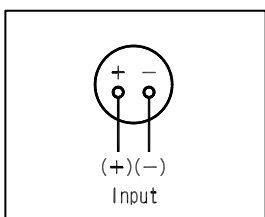
⁽¹⁾ PXK-120C: Internal resistance is 1.1k Ω when 100 μ A.

⁽²⁾ Input bias for 1V, 4mA scale zero position adjustment is necessary for meters receiving input electrical signals with bias DC1-5V, DC4-20mA etc.

⁽³⁾ Consumption current for VR internal meter is 1mA.

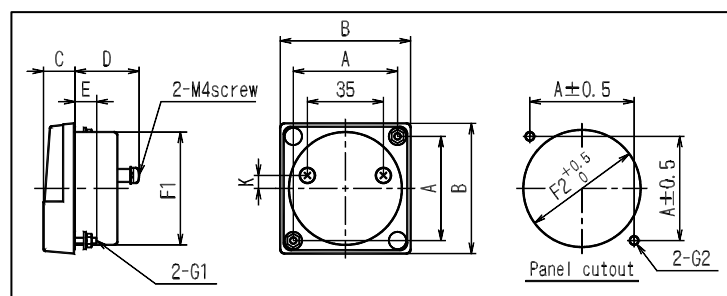
► Meters with both deflections can be manufactured.

Connection Diagram



DC Receiving Indicator

Dimensions



Type	A	B	C	D	E	F1	F2	G1	G2	K	weight (g)
PXK-120C	100	123	20	41.5	15	110 Φ	112 Φ Hole	M5 Screw	7 Φ Hole	24	350
PXK-100C	80	100	16	31	15	85 Φ	87 Φ Hole	M4 Screw	5.5 Φ Hole	15	180
PXK-80C	64	80	14.5	29.5	10	65 Φ	67 Φ Hole	M3 Screw	4 Φ Hole	0	125
PXK-60C	48	60	14.5	29.5	10	52 Φ	54 Φ Hole	M3 Screw	4 Φ Hole	6	90

AC Receiving Indicator Meter (Rectifier Type) - PYK

Receiving indicator meter for ammeter or voltmeter can be used to receive electrical signals from detectors or transmitters, and measure various physical quantities, electric power, power factor, and frequency. Scale values and input electrical quantities can be manufactured by specification.

For example:

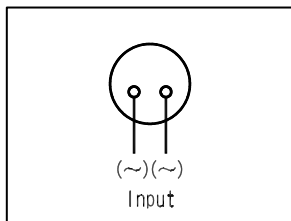
Scale 100% **Input electric DC3V**
Scale 0~2MPa **Input electric DC4~20mA**

Meters with built-in variable resistors for input voltage correction (standard $\pm 20\%$) can also be manufactured.

AC RECEIVING INDICATOR

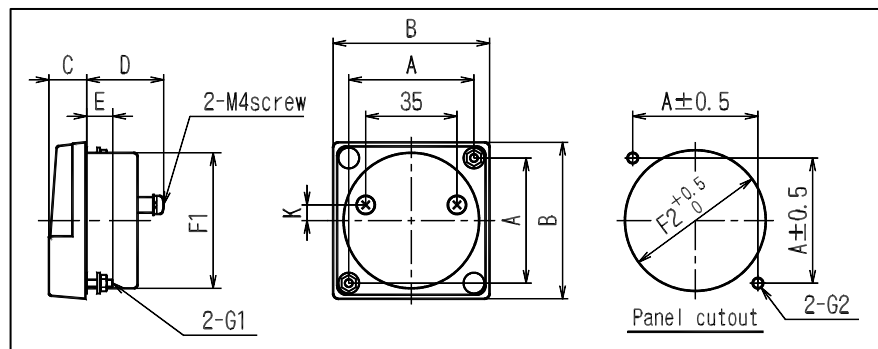
Input Electrical Quantity	Approx. Internal Resistance or Consumption VA	Input Electrical Quantity	Consumption Current
	PYK-120C, 100C, 80C, 60C		PYK-120C, 100C, 80C, 60C
100 μ A	5k Ω	3V 5 300V	1mA
500 μ A	1.5k Ω		
1mA	800 Ω		
3mA	350 Ω		
5mA	300 Ω		
10mA	0.5VA		
20mA			

Connection Diagram



AC Receiving Indicator

Dimensions



Type	A	B	C	D	E	F1	F2	G1	G2	K	weight (g)
PYK-120C	100	123	20	41.5	15	110 Φ	112 Φ Hole	M5 Screw	7 Φ Hole	24	350
PYK-100C	80	100	16	31	15	85 Φ	87 Φ Hole	M4 Screw	5.5 Φ Hole	15	180
PYK-80C	64	80	14.5	29.5	10	65 Φ	67 Φ Hole	M3 Screw	4 Φ Hole	0	125
PYK-60C	48	60	14.5	29.5	10	52 Φ	54 Φ Hole	M3 Screw	4 Φ Hole	6	90