

DC Ammeter (Moving Coil Type) - PMK

AMMETER

Max. scale value	Approx. Internal Resistance Or Drop Voltage	Accessory	
	PMK-120C, 100C, 80C, 60C		
25μA	2.26kΩ	-	
50μA	1.3kΩ		
100μA ⁽³⁾	2.1kΩ		
200μA	1kΩ		
500μA	240Ω		
1mA	120Ω		
2mA	11Ω		
5mA	12Ω		
10mA	3.2Ω		
20mA	2.8Ω		
50mA~30A	60mV		
30A~10kA ⁽¹⁾	60mV		Shunt ⁽²⁾

▶ Meter value up until 1Ω can manufacture. Please specify your value when lead wire resistance value is over 0.07Ω.

Lead Wire Resistance Value

Cross Section (mm ²)	Annealed Copper (Ω/m)	Remarks
1.25	0.0165	JIS C 3307 (IV)
2.0	0.00924	JIS C 3317 (HIV)
3.5	0.00520	Twist wire

▶ Meter built-in variable resistance for external resistance correction also can manufacture.

▶ Meter both deflections also can manufacture.

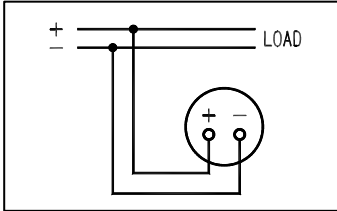
Note:

⁽¹⁾ Please use external shunt (60mV) for scale value 30A or more. Shunt 50mV & 100mV also can manufacture.

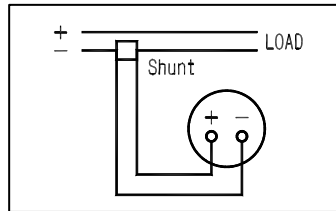
⁽²⁾ Lead wire for shunt is not attached. Standard lead wire resistance is 0.07Ω (1.25mm²)

⁽³⁾ PMK-120C: Internal resistance is 1.1kΩ when 100μA.

Connection Diagram

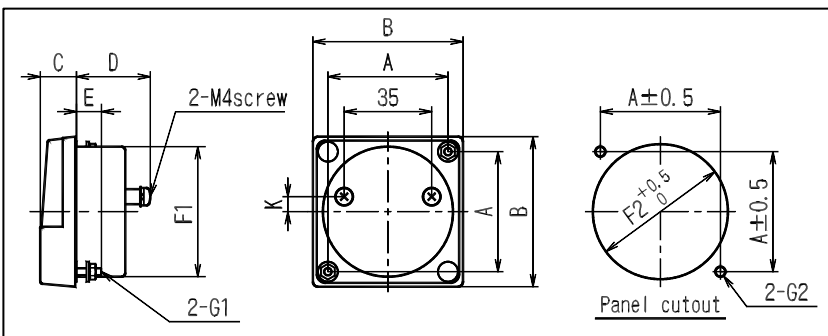


Ammeter



Ammeter external with shunt

Dimensions



Type	A	B	C	D	E	F1	F2	G1	G2	K	weight (g)
PMK-120C	100	123	20	41.5	15	110Φ	112ΦHole	M5 Screw	7ΦHole	0	350
PMK-100C	80	100	16	31	15	85Φ	87ΦHole	M4 Screw	5.5ΦHole	0	180
PMK-80C	64	80	14.5	29.5	10	65Φ	67ΦHole	M3 Screw	4ΦHole	0	125
PMK-60C	48	60	14.5	29.5	10	52Φ	54ΦHole	M3 Screw	4ΦHole	6	90

DC Voltmeter (Moving Coil Type) - PMK

VOLTMETER

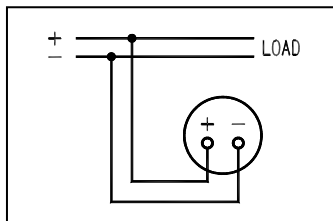
Max. Scale Value	Consumption Current	Accessory
	PMK-120C, 100C, 80C, 60C	
50mV~900mV	4mA	
1V~600V ⁽¹⁾⁽²⁾	1mA	
750V/1mA~25kV/1mA ⁽¹⁾⁽²⁾	1mA	Series Resistor

Note:

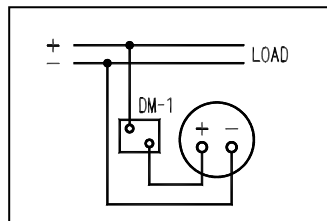
- ⁽¹⁾ Internal resistance up until 10kΩ/V can manufacture for voltmeter scale 3V or more.
- ⁽²⁾ Please use external series resistor (1mA) for scale value 600V or more.

- ▶ Meter both deflections can manufacture.
- ▶ Protection overvoltage for voltmeter more than 500mV also can manufacture.

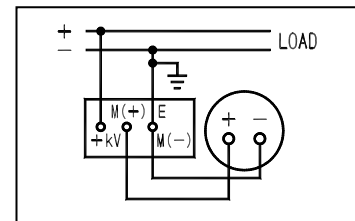
Connection Diagram



Voltmeter

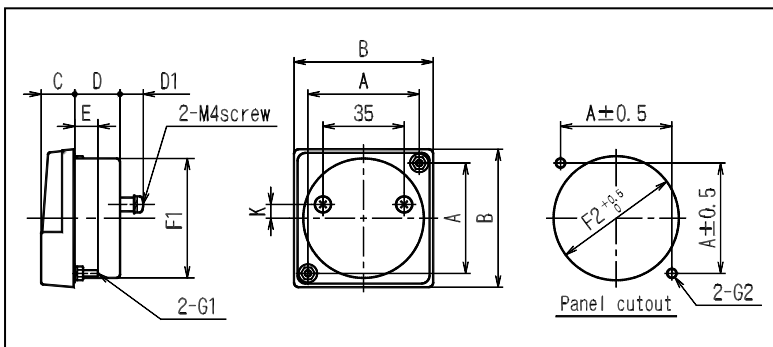


Voltmeter external with series resistor (DM-1)



Voltmeter external with series resistor (DM-2~25)

Dimensions



Type	A	B	C	D	E	F1	F2	G1	G2	K	weight (g)
PMK-120C	100	123	20	41.5	15	110Φ	112ΦHole	M5 Screw	7ΦHole	0	350
PMK-100C	80	100	16	31	15	85Φ	87ΦHole	M4 Screw	5.5ΦHole	0	180
PMK-80C	64	80	14.5	29.5	10	65Φ	67ΦHole	M3 Screw	4ΦHole	0	125
PMK-60C	48	60	14.5	29.5	10	52Φ	54ΦHole	M3 Screw	4ΦHole	6	90