

AC Ammeter (Rectifier Type) - PCK

AMMETER

Max. Scale Value	Approx. Internal Resistance or Consumption VA	Accessory
	PCK-120C, 100C, 80C, 60C	
100μA	5kΩ	
500μA	1.5kΩ	
1mA	800Ω	
3mA	350Ω	
5mA ⁽²⁾	300Ω	
10mA ~ 300mA ⁽²⁾	0.5VA	
350mA ~ 100A ⁽¹⁾	1VA	MR-CTN

Note:

(1) Please use external current transformer (CT) 5A (0.1A, 1A) for scale 100A or more & 600V or more in circuit voltage.

(2) Protection overcurrent for ammeter 100mA or less can manufacture.

▶ Extended Scale also can manufacture. (External with AT-62M, input until 15A only, dimensions refer to pg.19)

▶ For High harmonic wave use, we can manufacture until 10kHz, please specify.

For Cycle Control Waveform Meter

Please use cycle control for cycle control waveform type.

Type Name: PCTK-□CC, External with AT-62MEC.

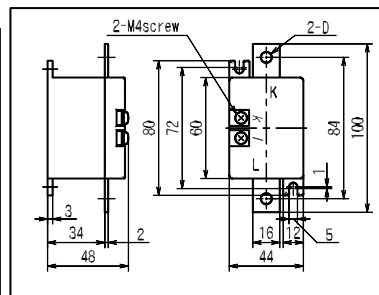
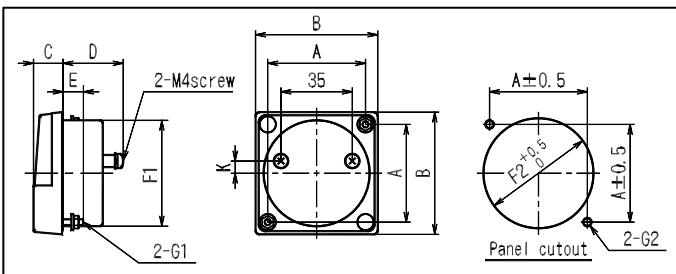
For Distorted Waveform Meter (Approx. RMS value rectifier method)

Please keep in mind, that standard rectifier type will be affected by waveform distortion.

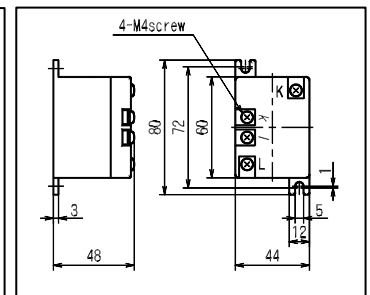
Please use approx. RMS value rectifier method for third harmonics mixed with waveform and SCR waveform.

Type Name: PCTK-□C, External with AT-62ME

Dimension

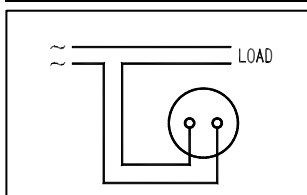


MR-CTN (30~100A/20mA)

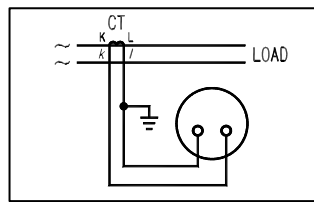


MR-CTN (0.35~25A/10mA)

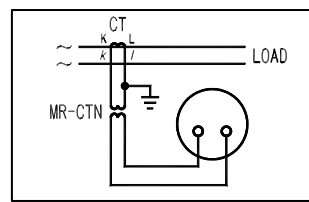
Connection Diagram



Ammeter



Ammeter external with CT or MR-CTN



Ammeter external with CT and MR-CTN

Current (A)	D
30~70	Φ6.5
75~100	Φ8.5

Type	A	B	C	D	E	F1	F2	G1	G2	K	weight (g)
PCK-120C	100	123	20	41.5	15	110Φ	112ΦHole	M5 Screw	7ΦHole	0	350
PCK-100C	80	100	16	31	15	85Φ	87ΦHole	M4 Screw	5.5ΦHole	0	180
PCK-80C	64	80	14.5	29.5	10	65Φ	67ΦHole	M3 Screw	4ΦHole	0	125
PCK-60C	48	60	14.5	29.5	10	52Φ	54ΦHole	M3 Screw	4ΦHole	6	90

Voltmeter (Rectifier Type) - PCK

VOLTMETER

Max. Scale Value	Consumption Current	Accessory
	PCK-120C, 100C, 80C, 60C	
3V~600V	1mA ⁽²⁾	—
750V~25kV ⁽¹⁾	1mA ⁽²⁾	Series Resistance

Note:

⁽¹⁾ Please use external series resistor (1mA) for scale value 600V or more. (Please refer to Instrument accessory for series resistor size)

⁽²⁾ Internal resistance up until 10kΩ/V can manufacture.

► For High harmonic wave use, we can manufacture until 10kHz, please specify.

For Cycle Control Waveform Meter

Please use cycle control for cycle control waveform type.

Type Name: PCTK-□CC, External with VT-62MEC.

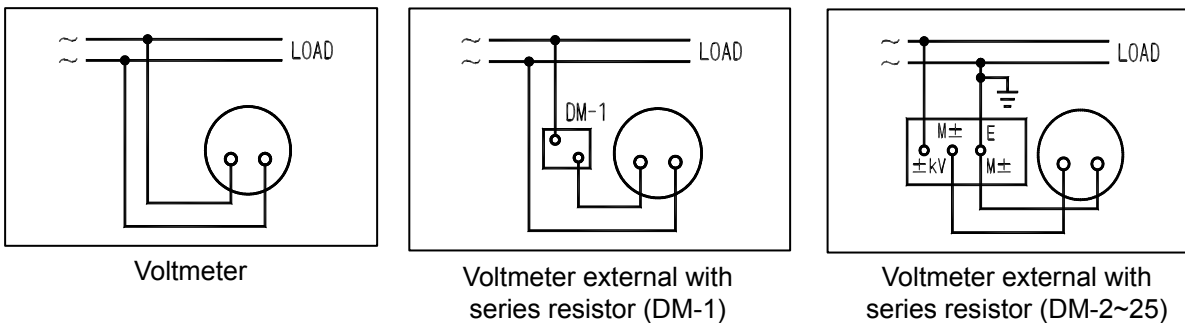
For Distorted Waveform Meter (Approx. RMS value rectifier method)

Keep in mind please, that standard rectifier type will be affected by waveform distortion.

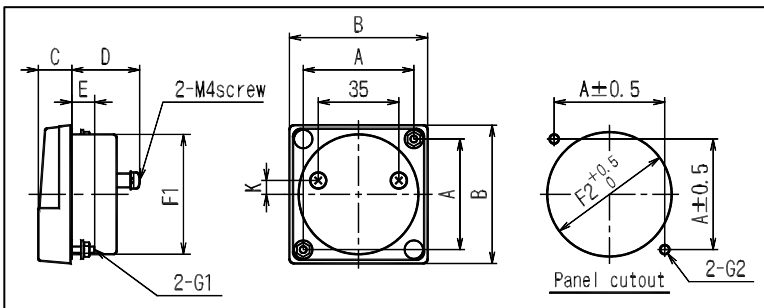
Please use approx. RMS value rectifier method for third harmonics mixed with waveform and SCR waveform.

Type Name: PCTK-□C, External with VT-62ME

Connection Diagram



Dimensions



Type	A	B	C	D	E	F1	F2	G1	G2	K	weight (g)
PCK-120C	100	123	20	41.5	15	110Φ	112ΦHole	M5 Screw	7ΦHole	0	350
PCK-100C	80	100	16	31	15	85Φ	87ΦHole	M4 Screw	5.5ΦHole	0	180
PCK-80C	64	80	14.5	29.5	10	65Φ	67ΦHole	M3 Screw	4ΦHole	0	125
PCK-60C	48	60	14.5	29.5	10	52Φ	54ΦHole	M3 Screw	4ΦHole	6	90