

Ammeter

Max. scale value	Approx. internal resistance or consumption VA	Accessory
100μA	5kΩ	—
1mA	800Ω	
3mA	350Ω	
5mA	300Ω	
10mA	0.5VA	
300mA ⁽²⁾		
350mA	1VA	—
10A		
15A ⁽¹⁾	1VA	MR-CTN
100A		

Note:

⁽¹⁾ When 100A or 650V circuit voltage is exceeds, current transformer (CT) will external to meter 5A (0.1A, 1A).

⁽²⁾ Ammeter over current protection for 300mA or less also can be manufactured.

For Cycle Control Waveform Meter

Please use cycle control for cycle control waveform type.

Type name: PCD-96, External with AT-62MEC

For Distorted Waveform Meter (Approx. RMS value rectifier method)

Keep in mind please, that standard restifier type will be affected by waveform distortion.

Please use approx. RMS value rectifier method for 3rd harmonics mixed with waveform and SCR waveform.

Type name: PCTD-96, External with AT-62ME

Voltmeter

Max. scale value	Approx. consumption current	Accessory
3V	1mA ⁽²⁾	—
600V ⁽¹⁾		

Note:

⁽¹⁾ When 600V is exceeds, series resistor will external to meter 1mA.

Please refer to Instrument accessory for the size.

⁽²⁾ Meter internal resistance up to 10kΩ/V can be manufactured.

For Cycle Control Waveform Meter

Please use cycle control for cycle control waveform type.

Type name: PCTD-96, External with VT-62MEC

For Distorted Waveform Meter (Approx. RMS value rectifier method)

Keep in mind please, that standard restifier type will be affected by waveform distortion.

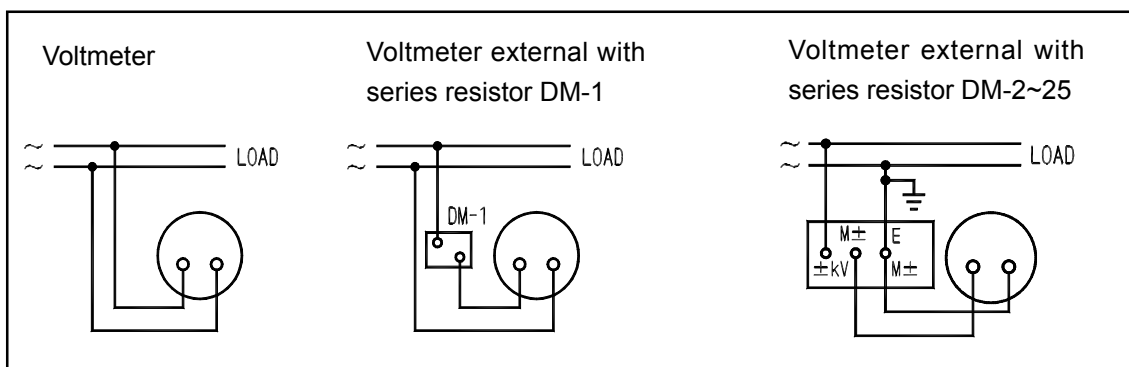
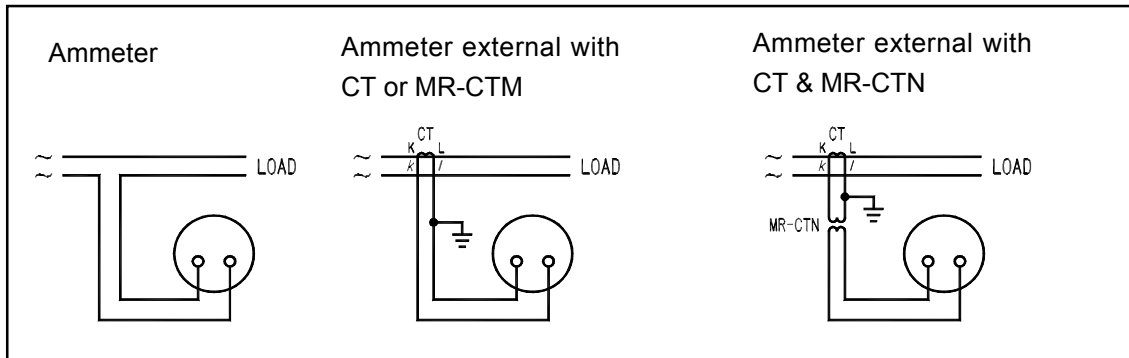
Please use approx. RMS value rectifier method for 3rd harmonics mixed with waveform and SCR waveform.

Type name: PCTD-96, External with VT-62ME

AC AMMETER / VOLTMETER (Rectifier Type)

PCD-96

Connection Diagram



Dimensions

