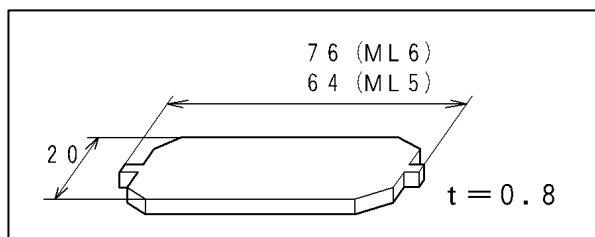


OPTIONS

1. TERMINAL COVER FOR TYPE WIDE ANGLE L SERIES

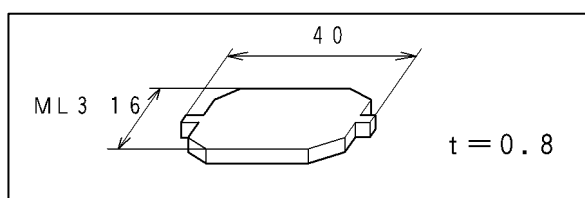
Terminal Cover for Type ML- 6 and ML- 5



Set into terminal block

Type Name	Units Required	
	ML-6	ML-5
ML-110C, YL-110C, XL-110C, CL-110C, AL-110C, PL-110NC-12, PBL-110NC-33, WL-110NC-12, WVL-110NC-12,	-	1
WL-110NC-33, 34 WVL-110NC-33, 34	1	1

Terminal Cover for Type ML- 3



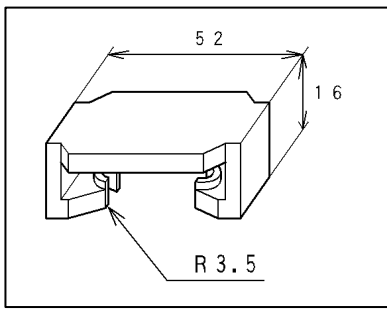
Set into terminal block

Type Name	Units Required		
	ML-6	ML-5	ML-3
ML-80C, YL-80C, XL-80C, CL-80C, AL-80C, PL-80C-12	-	-	1
WL-80C-12, 33, 34 Attach with transducer	WT-53MC-12	1	-
	WT-53MC-33	1	1
	WT-53MC-34 ⁽¹⁾	1	1
WVL-80C-12, 33, 34 Attach with transducer		-	1
	WVT-53MC-12	-	-
	WVT-53MC-33	1	1
	WVT-53MC-34 ⁽²⁾	1	1
PL-80C-33, 34 Attach with transducer		-	1
	PT-53MC-33, 34	1	1

⁽¹⁾ For WT-53MC-34, use two OA-BCP3 made by OHM.
⁽²⁾ For WVT-53MC-34, use two OA-BCP3 made by OHM.

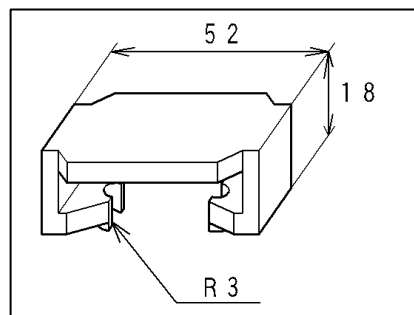
2. TERMINAL COVER FOR TYPE WIDE ANGLE L SERIES

Terminal Cover For Type SL



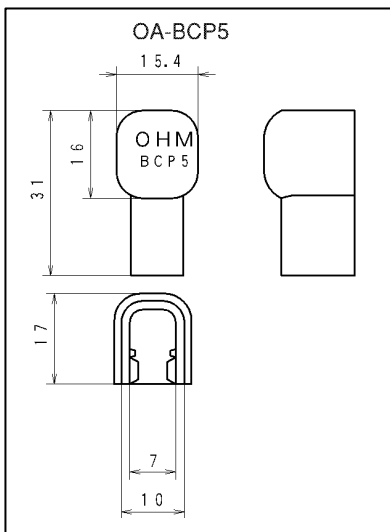
Set into terminal block

Terminal Cover For Narrow Angle

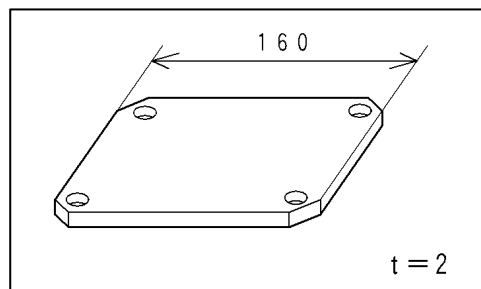


Type Name	Units Required	
	SL terminal cover	Narrow-angle terminal cover
SL-110C	1	-
SL-80C	1	-
L-65C	-	1

3. TERMINAL COVER FOR TYPE WIDE ANGLE L SERIES



Set into terminal fitting



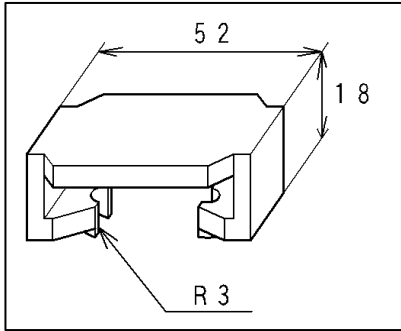
Multiplier covers for single phase
Synchroscope meter (Cover: DMD-50)
Lock screw on pillar.

Type Name	Unit Required	
	OA-BCP5	Cover DMD-50
DL-110C-12	6	1
DL-110NC-33	5	-

* Please specify cover DMD-50 when ordering. The meter shall be shipped with the cover fixed.

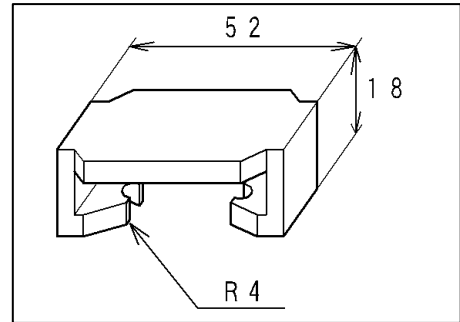
4. TERMINAL COVER FOR TYPE NARROW ANGLE METER COMMON

Narrow Angle Terminal Cover



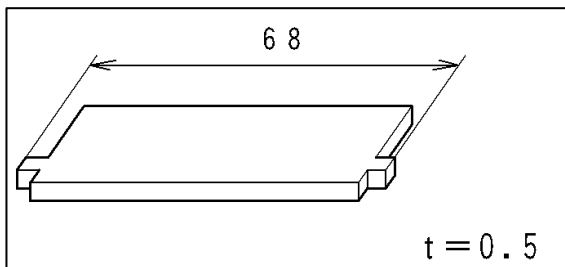
Set into terminal fitting

Hz Terminal Cover



Type Name	Measurement Element	Mark	Narrow Angle Terminal Cover	Hz Terminal Cover
			Units Required	
P K-120C/ 100C/ 80C/ 60C (Except 120NC1, 100NC) L K-12C/ 10C/ 8C (Except 12C, 10C, 8C) P D-96 (Except P D-96N) F K-7/ 5 FAK-7C/ 5C PAD-96	DC Current / Voltage	M	2pcs terminal cover is necessarily for P D-96 Series 2 Pointers type	-
	DC Receiving Indicator Meter	X		
	AC Receiving Indicator Meter	Y		
	AC Current / Voltage	S		
	AC Current / Voltage	C		
	AC Watthour Meter	W		
	AC Var Meter (balanced)	WVB		
	AC Var Meter (unbalanced)	WV		
	Power Factor (balanced)	PB		
	Power Factor (unbalanced)	P		
	Heat Electric Temperature	H		
	Heat Electric Temperature	HT		
	Revolutions (DC)	Z		
Revolutions (AC)	V			
PAK-120C/ 100C/ 80C/ 60C LAK-12C/ 10C/ 8C/ 6C	Frequency	A	-	1

5. TERMINAL COVER FOR TYPE NARROW ANGLE PK/ LK INTERGRATED

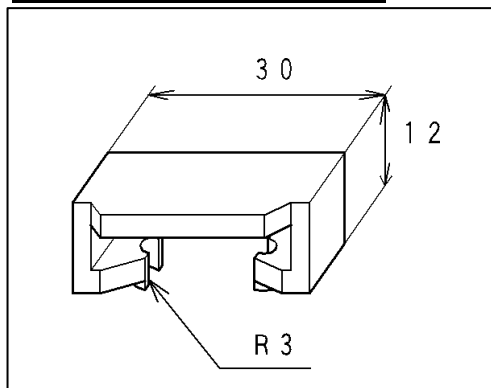


Set into terminal block

Meter Type	Units Required
	Kw Terminal Cover
P K- NC-	1
L K- NC-	

6. TERMINAL COVER FOR TYPE F SERIES

Terminal Cover For Type MF

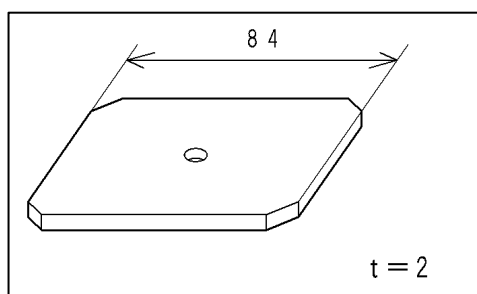


Use specify terminal cover or
OA-BCP3 for attachment transducer

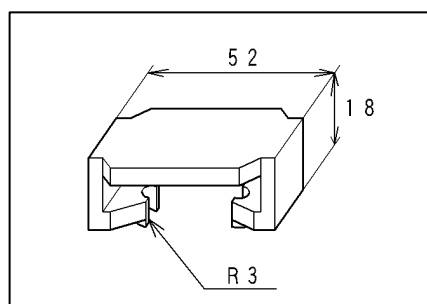
Type Name	Measurement Element	Mark	Units Required	
			1 Pointers	2 Pointers
F - 17 F - 15 F - 10	DC Current/ Voltage	M	1	2
	DC Receiving Indicator Meter	X	1	2
	AC Receiving Indicator Meter	Y		
	AC Current/ Voltage	C		
	AC Watthour Meter	W		
	AC Var Meter (balanced)	WVB		
	AC Var Meter (unbalanced)	WV		
	Power Factor (balanced)	PB		
	Power Factor (unbalanced)	P		
	Frequency	A		
	Heat Electric Temperature	H		
	Heat Electric Temperature	HT		
	Revolutions (DC)	Z		
Revolutions (AC)	V			

7. TERMINAL COVER FOR TYPE PWD – 96

Terminal Cover For Tye PWD – 96



Narrow Angle Terminal Cover



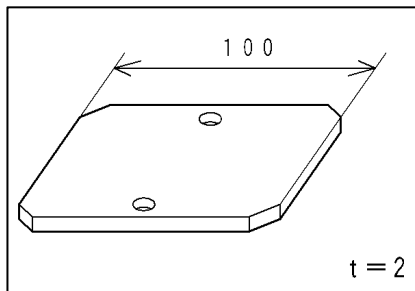
Please use nut to lock the meter stud.

Type Name	Measurement Element	Mark	Unit Required		
			Terminal Cover PWD-96	Narrow Angle Terminal Cover	
				1 Pointer	2 Pointers
P D-96N-	Power	W	1	-	-
	Reactive Power	WV			
	Power Factor (balanced)	P			
	Power Factor (unbalanced)	PB			
P D-96- -	Power	W	-	1	1
	Reactive Power	WV			
	Power Factor (balanced)	P			
	Power Factor (unbalanced)	PB			

Use specify terminal cover or OA-BCP3 for attachment transducer

8. TERMINAL COVER FOR TYPE EL SE

Terminal Cover For Type EL

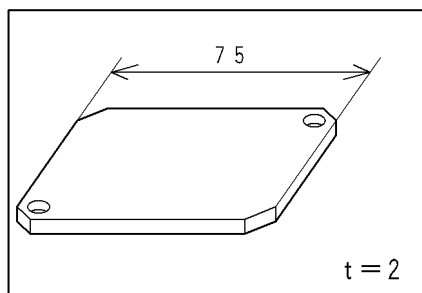


Lock screw on pillar.

Type Name	Measurement Element	Mark	Terminal Cover Type EL
			Units Required
Wide Angle Meter Relay EL-110C	DC Current/ Voltage	M	1
	DC Receiving Indicator Meter	X	
EP Series Normal Angle Meter Relay (All-in-one Type Relay Box) EP-100NC/ 120NC	AC Receiving Indicator Meter	Y	
	AC Current/ Voltage	S	
EK Series Normal Angle Meter Relay (All-in-one Type Relay Box) EK-12NC	AC Current/ Voltage	C	
	AC Watthour Meter	W	
	AC Var Meter (balanced)	WVB	
	AC Var Meter (unbalanced)	WV	
	Power Factor (balanced)	PB	
	Power Factor (unbalanced)	P	
	Frequency	A	
	Heat Electric Temperature	H	
Heat Electric Temperature	HT		
Revolutions (DC)	Z		
Revolutions (AC)	V		

9. TERMINAL COVER FOR TYPE DM – 61

Terminal Cover For Type DM – 61



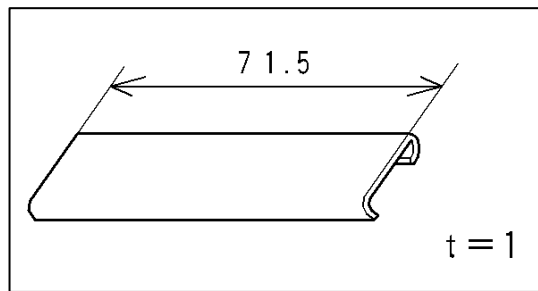
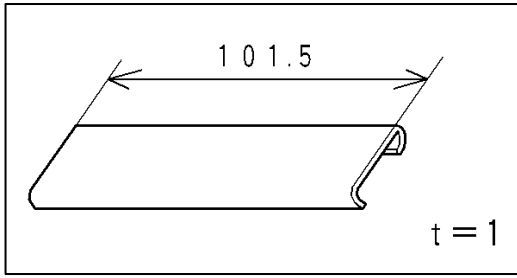
Lock screw on pillar.

Attached Relay Box	Terminal Cover Type DM – 61
Type Name	Units Required
DM – 61	1

* Please use EP/ EK series normal angle attached relay box for DM-61 terminal cover.

10. TERMINAL COVER FOR TYPE EF SERIES

Terminal Cover For EF Serie

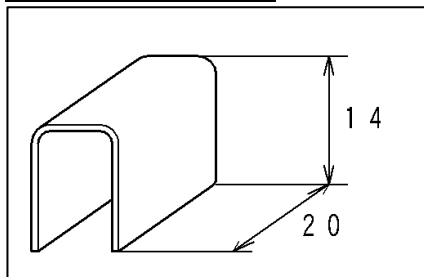


Type Name	Measurement Element	Mark	Terminal Cover For EF Series
			Units Required
EF - 17	DC Current/ Voltage	M	1
EF - 15	DC Receiving Indicator Meter	X	
	AC Receiving Indicator Meter	Y	
	AC Current/ Voltage	S	
	AC Current/ Voltage	C	
	AC Watthour Meter	W	
	AC Var Meter (balanced)	WVB	
	AC Var Meter (unbalanced)	WV	
	Power Factor (balanced)	PB	
	Power Factor (unbalanced)	P	
	Frequency	A	
	Heat Electric Temperature	H	
	Heat Electric Temperature	HT	
	Revolutions (DC)	Z	
	Revolutions (AC)	V	

RTF - 15	-	1
RTF - 10	-	1

11. TERMINAL COVER FOR HIGHEST (LOWEST) INDICATOR METER

Terminal Cover MRL



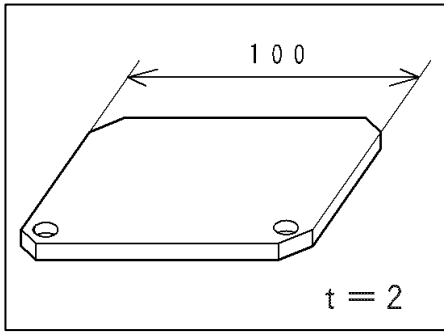
Set into terminal fitting

Type Name	Measurement Element	Mark	Terminal cover for MRL
Highest (Lowest) Indicator Meter	DC Current/ Voltage	M	2
	DC Receiving Indicator Meter	X	
RL-110CH, 110CL, 110CHL	AC Receiving Indicator Meter	Y	2 addition for electromagnetism return 2 addition for Aux. Power Supply
	AC Current/ Voltage	S	
	AC Current/ Voltage	C	
	AC Watthour Meter	W	
RL-80CH, 80CL, 80CHL	AC Var Meter (balanced)	WVB	
	AC Var Meter (unbalanced)	WV	
	Power Factor (balanced)	PB	
	Power Factor (unbalanced)	P	
	Frequency (Except PAK, LAK)	A	
	Heat Electric Temperature	H	
	Heat Electric Temperature	HT	
	Revolutions (DC)	Z	
	Revolutions (AC)	V	

* Please Use specify terminal cover or OA-BCP3 for attachment transducer

12. TERMINAL COVER FOR HIGHEST (LOWEST) INDICATOR (ALARM CONTACT)

Terminal Cover ERL

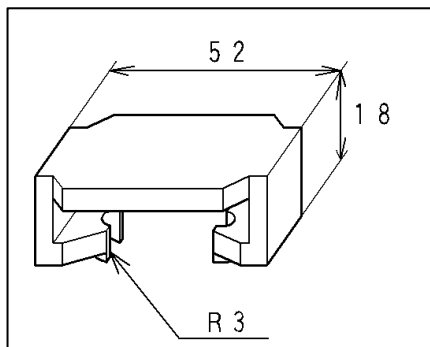


Lock by screw

Type Name	Measurement Element	Mark	Terminal cover for ERL
Highest (Lowest) Indicator Meter (Alarm Contact) ERL-110C-H, 110C-L, 110C-HL	DC Current/ Voltage	M	1
	DC Receiving Indicator Meter	X	
	AC Receiving Indicator Meter	Y	
	AC Current/ Voltage	S	
	AC Current/ Voltage	C	
	AC Watthour Meter	W	
	AC Var Meter (balanced)	WVB	
	AC Var Meter (unbalanced)	WV	
	Power Factor (balanced)	PB	
	Power Factor (unbalanced)	P	
	Frequency (Except PAK, LAK)	A	
	Heat Electric Temperature	H	
	Heat Electric Temperature	HT	
	Revolutions (DC)	Z	
Revolutions (AC)	V		

* Please Use specify terminal cover or OA-BCP3 for attachment transducer

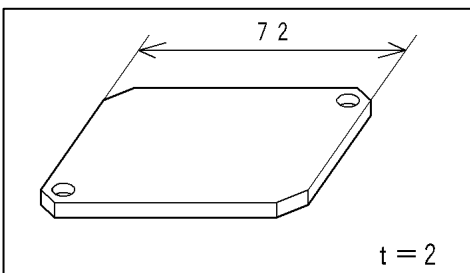
13. TERMINAL COVER FOR MAX. DEMAND AMMETER



Set into terminal fitting

Type Name	Terminal Cover For Narrow Angle
	Units Required
Max. Demand Ammeter BRL - 110CH	1
Max. Demand Ammeter (With warning contact)	2

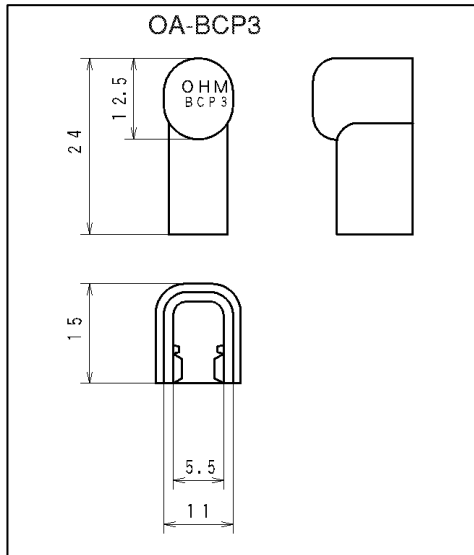
14. TERMINAL COVER FOR AUXILIARY CT



Accessory CT Type	Units Required
	Terminal Cover For MR-CTN
MR - CTN	1

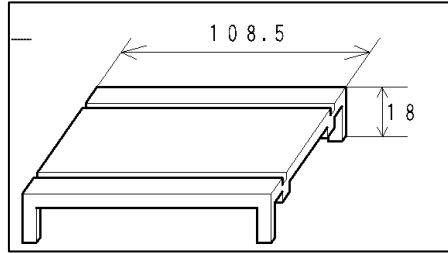
Please use accessory CT cover for Accessory CT, MR-CTN.

15. ATTACHMENT TRANSDUCER TERMINAL COVER



Set into terminal fitting

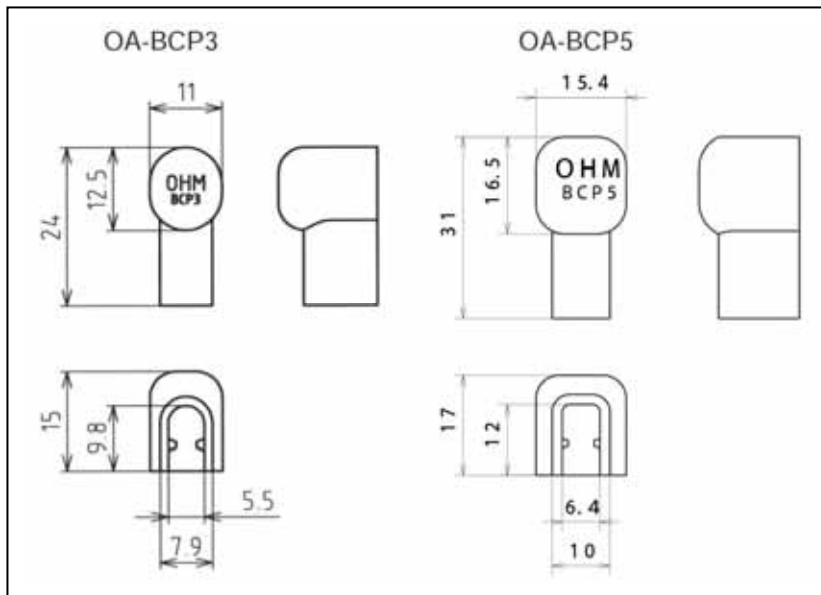
Terminal Cover for T-83M



Attachment Transducer	Units required	
	OA-BCP3	T-83 terminal cover
A(V)T-62M	4	-
W(WV, P, PB)T-62M	6	-
PT-63M	8	-
DM-63(H, L)	10	-
DM-63(HL, HH, LL)	16	-
W(WV, P, PB)T-64M-12	6	-
W(WV, P, PB)T-64M-34	11	-
PT-64M-34	10	-
-T-83M-	-	1

* Please Use specify terminal cover or OA-BCP3 for attachment transducer

16. SERIES RESISTOR TERMINAL COVER



Set into terminal fitting

Type	Units Required	
	OA-BCP3	OA-BCP5
DM - 1	2	-
DM - 2	-	3
DM - 1T	4	-
DM - 41	-	2