

DC Receiving Indicator Meter (Moving Coil Type) - L XK

Receiving indicator meter for ammeter or voltmeter can be used to receive electrical signals from detectors or transmitters, and measure values for various physical quantities, electric power, power factor, and frequency. Scale values and electrical input quantities can be manufactured as specified.

For example:

Scale value 100% **Electric input quantity DC 3V**
Scale Value 0~2MPa **Electric input quantity DC 4~20mA**

Meters with built-in variable resistors for input voltage correction (standard $\pm 20\%$) can be manufactured.

DC RECEIVING INDICATOR

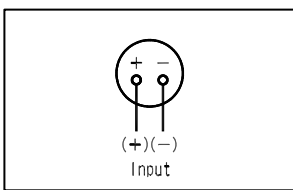
Electrical Input Quantity	Internal Resistance Overview	Electrical Input Quantity	Consumption Current
	LXK-12C, 10C, 8C		LXK-12C, 10C, 8C
100 μ A ⁽¹⁾	2.1k Ω	1V	1mA ⁽³⁾
500 μ A	240 Ω	2V	
1mA	120 Ω	1~5V ⁽²⁾	
2mA	11 Ω	5V	
5mA	12 Ω	10V	
10mA	3.2 Ω	20V	
20mA	2.8 Ω	50V	
4~20mA ⁽²⁾	2.8 Ω	∞	
10~50mA ⁽²⁾	1.5 Ω	300V	

Note:

- ⁽¹⁾ LXK-12C: Internal resistance is 1.1k Ω when 100 μ A.
- ⁽²⁾ Input bias for 1V, 4mA scale zero position adjustment is necessary for meters receiving input electrical signals with bias DC1-5V, DC4-20mA etc.
- ⁽³⁾ Consumption current for VR internal meter is 1mA.

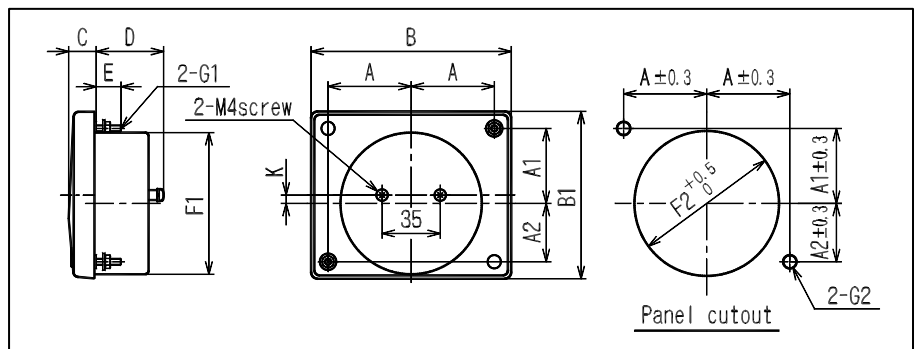
► Meter both deflections can be manufactured.

Connection Diagram



DC Receiving Indicator

Dimensions



Type	A	A1	A2	B	B1	C	D	E	F1	F2	G1	G2	K	weight (g)
LXK-12C	50	45	35	120	100	16	41.5	15	85 Φ	87 Φ Hole	M4 Screw	5.5 Φ Hole	0	300
LXK-10C	40	37	27	100	83	14	29.5	10	65 Φ	67 Φ Hole	M3 Screw	4 Φ Hole	5	140
LXK-8C	32	29.5	18.5	80	67	14	29.5	10	52 Φ	54 Φ Hole	M3 Screw	4 Φ Hole	5.5	110

AC Receiving Indicator Meter (Rectifier Type) - LYK

Receiving indicator meter for ammeter or voltmeter can be used to receive electrical signals from detectors or transmitters, and measure various physical quantities, electric power, power factor, and frequency. Scale values and input electric quantities can be manufactured to specifications.

For example:

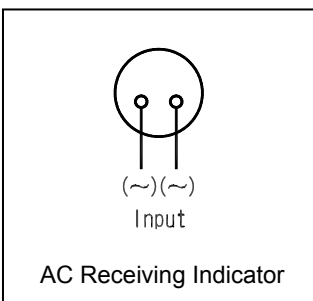
Scale value 100% **Input electric quantity DC 3V**
Scale Value 0~2MPa **Input electric quantity DC 4~20mA**

Meters with built-in variable resistors for input voltage correction (standard $\pm 20\%$) can also be manufactured.

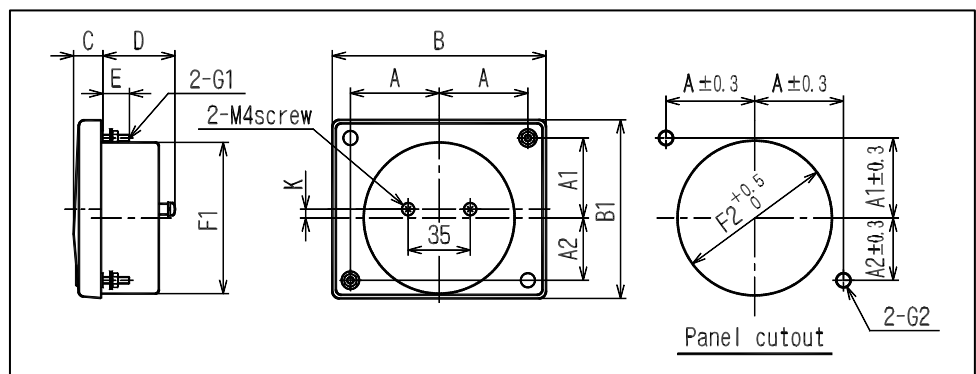
AC AMMETER

Electrical Input Quantity	Internal Resistance or Consumption VA	Electrical Input Quantity	Consumption Current
	LYK-12C, 10C, 8C		LYK-12C, 10C, 8C
100 μ A	5k Ω	3V	1mA
500 μ A	1.5k Ω	?	
1mA	800 Ω	300V	
3mA	350 Ω		
5mA	300 Ω		
10mA	0.5VA		
20mA			

Connection Diagram



Dimensions



Type	A	A1	A2	B	B1	C	D	E	F1	F2	G1	G2	K	weight (g)
LYK-12C	50	45	35	120	100	16	41.5	15	85 Φ	87 Φ Hole	M4 Screw	5.5 Φ Hole	0	300
LYK-10C	40	37	27	100	83	14	29.5	10	65 Φ	67 Φ Hole	M3 Screw	4 Φ Hole	5	140
LYK-8C	32	29.5	18.5	80	67	14	29.5	10	52 Φ	54 Φ Hole	M3 Screw	4 Φ Hole	5.5	110