

# AC Ammeter (Rectifier Type) - LCK

## AMMETER

Max. Scale Value	Approx. Internal Resistance or Consumption VA	Accessory
	LCK-12C, 10C, 8C	
100μA	5kΩ	-
500μA	1.5kΩ	
1mA	800Ω	
3mA	380Ω	
5mA <sup>(2)</sup>	300Ω	
10mA ~ 300mA <sup>(2)</sup>	0.5VA	
350mA ~ 100A <sup>(1)</sup>	1VA	MR-CTN

**Note:**

<sup>(1)</sup> Please use external current transformer (CT) 5A (0.1A or 1A) for scale 100A or more & scale 600V or more in circuit voltage.

<sup>(2)</sup> Protection overcurrent for ammeter 100mA or less can manufacture.

▶ For High harmonic wave use, we can manufacture until 10kHz, please specify.

▶ Extended Scale also can manufacture. (External with AT-62M, input until 15A only, diagram refer to page 20)

### For Cycle Control Waveform Meter

Please use cycle control for cycle control waveform type.

Type Name: LCTK-□CC, external with AT-62MEC.

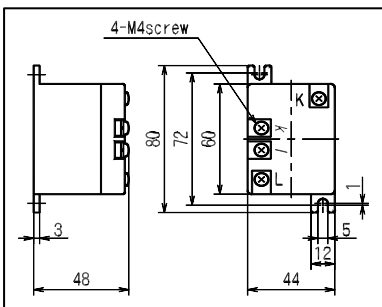
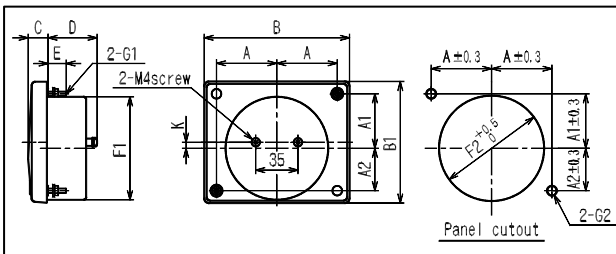
### For Distorted Waveform Meter (Approx. RMS value rectifier method)

Keep in mind please, that standard rectifier type will be affected by waveform distortion.

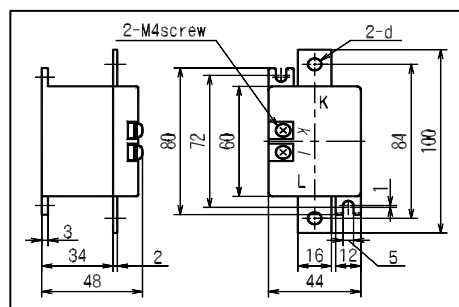
Please use approx. RMS value rectifier method for third harmonics mixed with waveform and SCR waveform.

(Type name: LCTK-□C, External with AT-62ME, diagram refer to page 20)

### Dimension



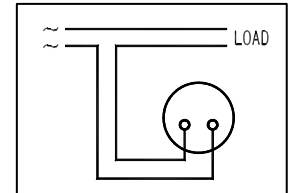
MR-CTN (0.35~25A/10mA)



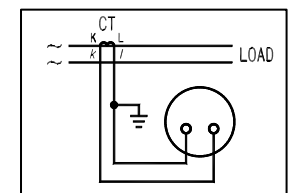
MR-CTN (30~100A/20mA)

Current (A)	d
30~70	Φ6.5
75~100	Φ8.5

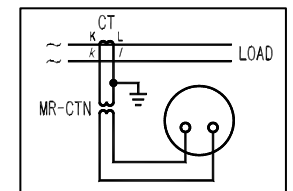
### Connection Diagram



Ammeter



Ammeter with CT or MR-CTN



Ammeter with CT and MR-CTN

Type	A	A1	A2	B	B1	C	D	E	F1	F2	G1	G2	K	weight (g)
LCK-12C	50	45	35	120	100	16	41.5	15	85 Φ	87Φ Hole	M4 Screw	5.5ΦHole	0	300
LCK-10C	40	37	27	100	83	14	29.5	10	65 Φ	67Φ Hole	M3 Screw	4ΦHole	5	180
LCK-8C	32	29.5	18.5	80	67	14	29.5	10	52 Φ	54Φ Hole	M3 Screw	4ΦHole	5.5	110

# Voltmeter (Rectifier Type) - LCK

## VOLTMETER

Max. Scale Value	Consumption Current	Accessory
	LCK-12C, 10C, 8C	
3V ~ 600V	1mA	—
750V ~ 25kV <sup>(1)</sup>	1mA	Series Resistance

**Note:**

<sup>(1)</sup> Please use external series resistance 1mA for scale 600V or more.

► For High harmonic wave use, we can manufacture until 10kHz, please specify.

**For Cycle Control Waveform Meter**

Please use cycle control for cycle control waveform type.

Type Name: LCTK-□CC, external with AT-62MEC.

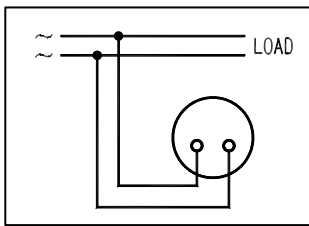
**For Distorted Waveform Meter (Approx. RMS value rectifier method)**

Keep in mind please, that standard rectifier type will be affected by waveform distortion.

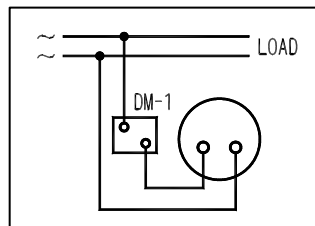
Please use approx. RMS value rectifier method for third harmonics mixed with waveform and SCR waveform.

(Type name: LCTK-□C, External with VT-62ME)

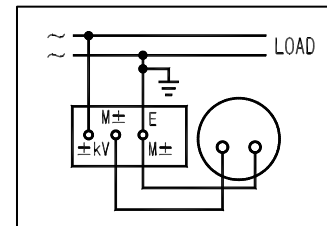
**Connection Diagram**



Voltmeter

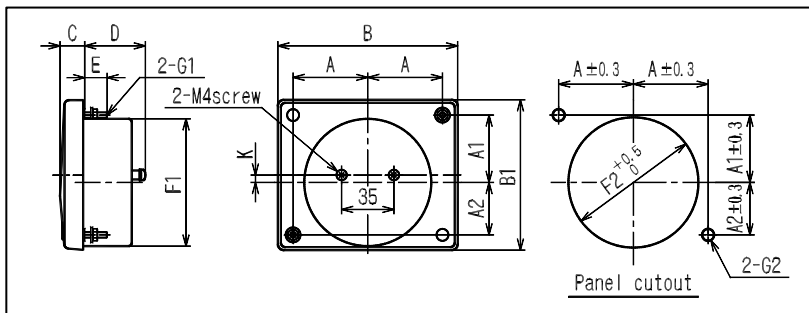


Voltmeter external series resistor (DM-1)



Voltmeter external series resistor (DM-2~25)

**Dimensions**



Type	A	A1	A2	B	B1	C	D	E	F1	F2	G1	G2	K	weight (g)
LCK-12C	50	45	35	120	100	16	41.5	15	85 Φ	87Φ Hole	M4 Screw	5.5Φ Hole	0	300
LCK-10C	40	37	27	100	83	14	29.5	10	65 Φ	67Φ Hole	M3 Screw	4Φ Hole	5	180
LCK-8C	32	29.5	18.5	80	67	14	29.5	10	52 Φ	54Φ Hole	M3 Screw	4Φ Hole	5.5	110