

Frequency Meter (Transducer Type) - LAK

FREQUENCY METER

Rated Voltage	Measurement Range	Consumption VA	Voltage Change Range
		LAK-12C, 10C, 8C	
110V ⁽²⁾	45 ~ 55Hz 55 ~ 65Hz 45 ~ 65Hz 350 ~ 450Hz ⁽¹⁾	1.7VA	90 ~ 130V
220V ⁽²⁾	45 ~ 55Hz 55 ~ 65Hz 45 ~ 65Hz 350 ~ 450Hz ⁽¹⁾	2.5VA	180 ~ 260V

Note:

⁽¹⁾ Special frequency measurement range also can be manufactured (up until 1000Hz)

⁽²⁾ Usable voltage range: 110V: 90~130V & 220V: 180~260V

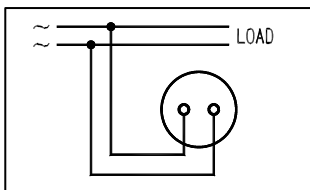
Please contact with us for manufactured the above rated voltage and voltage change range.

For SCR Waveform Meter

Meter SCR waveform input (Distortion waveform) also can be manufactured.

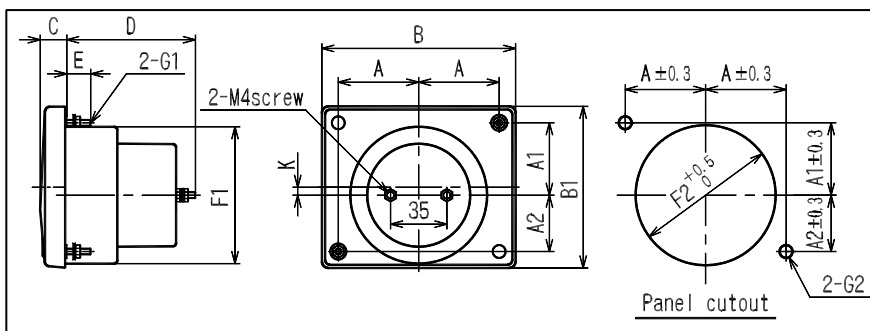
Type name: LAK-□CH

Connection Diagram



Frequency Meter

Dimensions



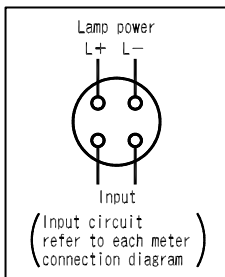
Type	A	A1	A2	B	B1	C	D	E	F1	F2	G1	G2	K	weight (g)
LAK-12C	50	45	35	120	100	16	80	15	85 Φ	87Φ Hole	M4 Screw	5.5Φ Hole	0	400
LAK-10C	40	37	27	100	83	14	68	10	65 Φ	67Φ Hole	M3 Screw	4Φ Hole	5	250
LAK-8C	32	29.5	18.5	80	67	14	68	10	52 Φ	54Φ Hole	M3 Screw	4Φ Hole	5.5	210

Frequency Meter (Transducer Type) - LAK

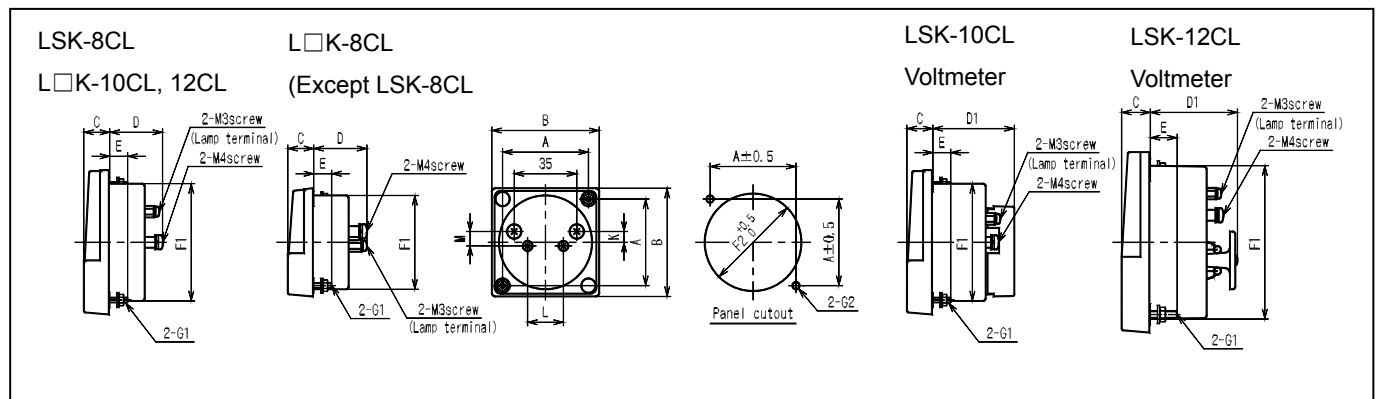
METER EXTERNAL WITH LAMP

Product Name		LK-12C	LK-10C	LK-8C	Accessory
DC Ammeter , Voltmeter		LMK-12CL	LMK-10CL	LMK-8CL	—
DC Receiving Indicator		LXK-12CL	LXK-10CL	LXK-8CL	—
AC Receiving Indicator		LYK-12CL	LYK-10CL	LYK-8CL	—
AC Ammeter, Voltmeter		LSK-12CL	LSK-10CL	LSK-8CL	External DM-41 for LSK-8CL
AC Ammeter, Voltmeter		LCK-12CL	LCK-10CL	LCK-8CL	—
Watt Meter (unbalanced)		LWK-12CL-12,13,33,34	LWK-10CL-12,13,33,34	LWK-8CL-12,13,33,34	External Transducer
Var Meter	Unbalanced	LWVK-12CL-12,33,34	LWVK-10CL-12,33,34	LWVK-8CL-12,33,34	External Transducer
	Balanced	LWVBK-12CL-33	LWVBK-10CL-33	LWVBK-8CL-33	External Transducer
Power	Unbalanced	LPK-12CL-12,33,34	LPK-10CL-12,33,34	LPK-8CL-12,33,34	External Transducer
Factor Meter	Balanced	LPBK-12CL-33,34	LPBK-10CL-33,34	LPBK-8CL-33,34	External Transducer
Frequency		LAK-12CL	LAK-10CL	LAK-8CL	External Transducer

Connection Diagram



Dimensions



Type	A	A1	A2	B	B1	C	D	D1	E	F1	F2	G1	G2	K	L	M	weight(g)
L□K-12CL	50	45	35	120	100	16	41.5	48	15	85Φ	87ΦHole	M4 screw	5.5ΦHole	0	35	17	300
L□K-10CL	40	37	27	100	83	14	29.5	45.5	10	65Φ	67ΦHole	M3 screw	4ΦHole	5	35	17	140
L□K-8CL	32	29.5	18.5	80	67	14	30.5	-	10	52Φ	54ΦHole	M3 screw	4ΦHole	5.5	20	8	100

Please refer to below for LSK

Type	A	A1	A2	B	B1	C	D	D1	E	F1	F2	G1	G2	K	L	M	weight(g)
LSK-12CL	50	45	35	120	100	16	41.5	48	15	85Φ	87ΦHole	M4 screw	5.5ΦHole	15	25	12	280
LSK-10CL	40	37	27	100	83	14	39.5	45.5	10	65Φ	67ΦHole	M3 screw	4ΦHole	5	38	13	180
LSK-8CL	32	29.5	18.5	80	67	14	40.5	-	10	52Φ	54ΦHole	M3 screw	4ΦHole	5.5	13	6	150