

§Small-sized plug-in transducer§

1 output type

Distributor

FSDT

Application

Supplies electrical power to a 2-wire transmitter, receives a DC4-20mA signal from the transmitter, then insulates and outputs a proportional DC signal. Up to 16 units can be housed in an installation base.

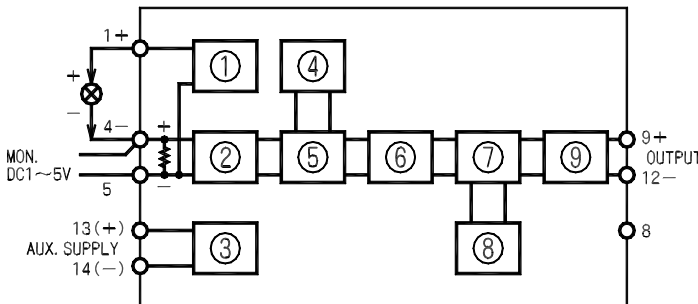


23 × 76 × 125mm/160g

Feature

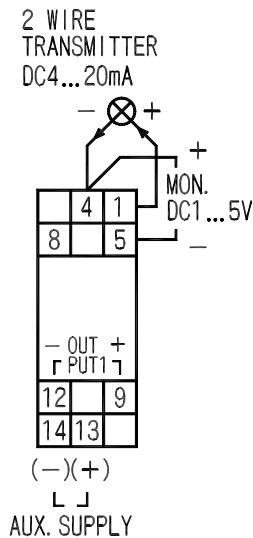
1. Compact and high withstand voltage.
2. Withstand voltage between input/output/auxiliary supply/outer case is AC2, 000V (50/60Hz) for 1 min..
3. This is a distributor for 2-wire transmitter use with distributing and signal converting function,
4. With transmitter power source short-circuit protection (limited current 23-30mA).
5. A DC4-20mA signal from transmitter monitored as a DC 1-5V ($\pm 0.1\%$) signal through socket (FS08) terminals 4-5.
6. Constant voltage/current output type. No need to adjust the product if it operates within load resistance range.
7. A LED can confirm status of electric power applied.
8. Zero/span is adjustable. ($\pm 2\%$ adjustable)

Block Diagram



- Power source circuit
- Input amplifying circuit
- Insulated power source circuit
- Oscillating circuit
- Pulse width modulation circuit
- Photo coupler insulation
- Pulse width demodulation circuit
- Reference voltage
- Output circuit

Connection diagram (socket)



Transmitter power source

In case that over current which exceeds current capacity of incoming current/ short-circuit is circulated in transmitter power source terminal, a built-in short-circuit protection circuit functions, supply voltage is lowered and supply current is limited to protect the distributor.

§Small-sized plug-in transducer§

1 output type

Distributor

Specification

How to specify

Type name

FSDT

Specification code

0

Input (input resistance)	Output (load resistant)	Auxiliary supply	Power fuse	Common specification
0C7 :DC 4-20mA (250 ± 0.1%) ZZZ :other than those above *1 (See product range)	1 :DC0-100mV (200) 2 :DC0-1V (200) 3 :DC0-5V (600) 4 :DC0-10V (2k) 5 :DC1-5V (600) A :DC0-1mA (10k) B :DC0-5mA (2k) C :DC0-10mA (1k) D :DC0-16mA (600) E :DC1-5mA (3k) F :DC4-20mA (750) Z :other than those above *1 (See product range)	F :AC/DC80-264V Rated Voltage AC100/110V 50/60Hz AC200/220V 50/60Hz DC100/110V 5 :DC24V (DC19-30V) A :DC24V (DC19-30V) CE marking *2	1 :without fuse 2 :with fuse	Conversion accuracy: ± 0.1% Temperature characteristics: 0.2%/10 Response time: 0.5s/90% Two-wire transmitter power source: DC24-28V (when there is no load) Current capacity: DC22mA Consumption VA: At AC110V: 4.5VA At AC220V: 5.5VA At DC110V: 2.5W At DC24V: 3.0W CE marking item: At DC24V: 3.9W Weight: Without socket: approx.130g With socket: approx.160g

*1 Consult with us for specification other than those indicated in the table above.

Product Range (including special handling)

Input	Output
Current input span: 12mA Full input: MAX20mA	Current output: 1mA-20mA Voltage output: 10mV-10V

*2 CE marking compliant specifications

EMC compliant specifications

EMI (emission) EN61000-6-4
EMS (immunity) EN61000-6-2

Safety standard

EN61010-1
CAT , pollution degree: 2

Line resistance (between transmitter and distributor)

Line resistance $\frac{19V (*) - \text{MIN. operating voltage of transmitter}}{0.02A}$

(*)MIN. supply voltage (24V) - Internal voltage drop (5V) = 19V