

DC Receiving Indicator Meter (Moving Coil Type) - XF

Ammeter or voltmeter is a receiving indicator meter for received electrical signal from detector or transmitter, and measure the value of physical quantity, electric power, power factor and frequency. About the scale value and the electric input quantity, it can be manufactured by specify.

For example:

Scale value 100% **Input electric quantity DC 3V**

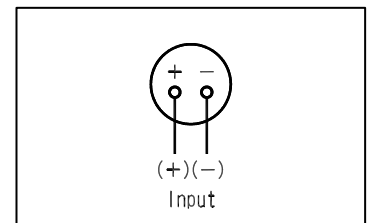
Scale value 0~2MPa **Input electric quantity DC 4~20mA**

About voltage input, meter built-in adjustable resistor for resistance corrective (standard $\pm 20\%$) also can be manufacture.

DC RECEIVING INDICATOR

Max scale value meter specific	Internal Resistance Overview		Max. scale value meter specific	Consumption Current
	XF-17, 15	XF-10		XF-17, 15, 10
100 μ A	4k Ω	550 Ω	1V	1mA ⁽²⁾
500 μ A	510 Ω	66 Ω	2V	
1mA	160 Ω	48 Ω	1~5V ⁽¹⁾	
2mA	81 Ω	7.2 Ω	5V	
5mA	12 Ω	12 Ω	10V	
10mA	6 Ω	2 Ω	15V	
16mA	3.8 Ω	1.7 Ω	20V	
20mA	3 Ω	1.7 Ω	50V	
4~20mA ⁽¹⁾	3.8 Ω	1.7 Ω	?	
10~50mA ⁽¹⁾	1.5 Ω	1.5 Ω	300V	

Connection Diagram



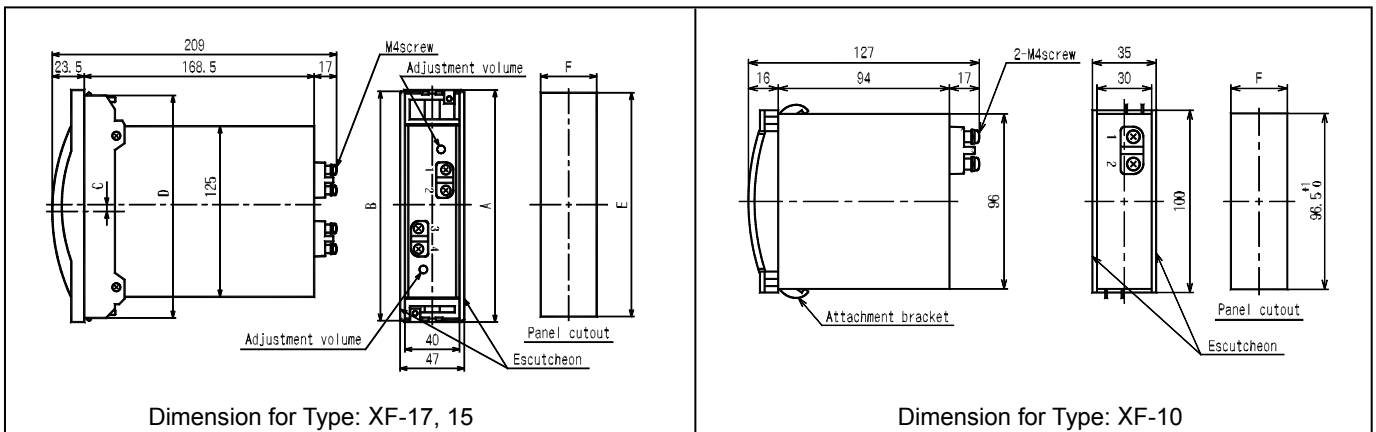
DC Receiving Indicator

Note:

- (1) The receiving indicator meter, received the bias sign with input electrical quantity DC1~5V and DC4~20mA. Please adjust to Zero position when 1V, 4mA sign bias in input.
- (2) Consumption current for VR internal meter is 1mA.

► Meter both deflection also can be manufacture.

Dimensions



Type	A	B	C	D	E	F		Weight (g)	
						1 unit	2-unit or above	1 pointer	2-pointer
XF-17	168	170	4	163	164 \pm 0.5	41 ⁺¹ ₋₀	(41 \times n) ⁺¹ ₋₀	400	500
XF-15	148	150	0	145	146 \pm 0.5	41 ⁺¹ ₋₀	(41 \times n) ⁺¹ ₋₀	400	500
XF-10	—					31 ⁺¹ ₋₀	(30 \times n) ⁺¹ ₋₀ +1	160	

Please assemble the meter in the center of the panel if you need continuous assemble.
Or please contact and discuss with us if you need to continuous assemble more than 10 units.

* n = unit of meter

AC Receiving Indicator Meter (Rectifier Type) - YF

Ammeter or voltmeter is a receiving indicator meter for received electrical signal from detector or transmitter, and measures the value of physical quantity, electric power, power factor and frequency. About the scale value and electric input quantity, it can be manufactured by specify.

For example:

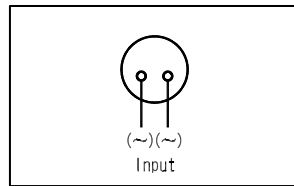
Scale value 100% **Input electric quantity DC 3V**
Scale value 0~2 MPa **Input electric quantity DC 4~20mA**

About voltage input, meter built-in adjustable resistor for resistance corrective (standard $\pm 20\%$) also can be manufacture.

AC AMMETER

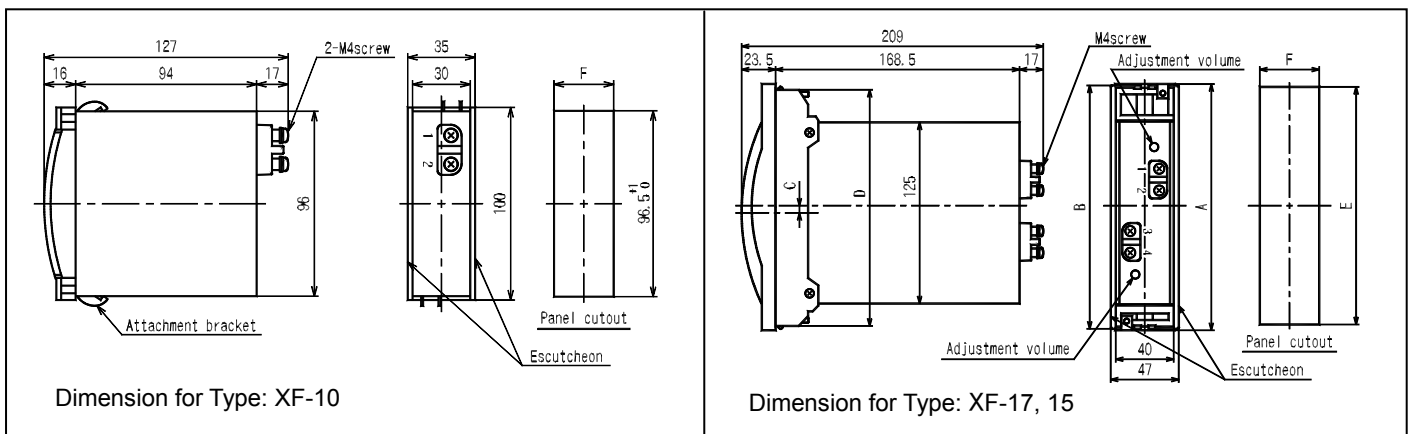
Max. scale value meter specific	Internal Resistance or Consumption VA	Max. scale value meter specific	Consumption Current	
	YF-17, 15, 10		YF-17, 15	YF-10
200 μ A	4k Ω	3V	1.5mA	1mA
500 μ A	1.5k Ω	∩		
1mA	800 Ω	25V	1mA	
2mA	500 Ω	30V		
5mA	300 Ω	∩		
10mA	0.5VA	300V		
20mA				

Connection Diagram



AC Receiving Indicator

Dimensions



Dimension for Type: XF-10

Dimension for Type: XF-17, 15

Type	A	B	C	D	E	F		Weight (g)	
						1 unit	2-unit or above	1 pointer	2-pointer
YF-17	168	170	4	163	164 \pm 0.5	41 ⁺¹ ₋₀	(41 \times n) ⁺¹ ₋₀	400	500
YF-15	148	150	0	145	146 \pm 0.5	41 ⁺¹ ₋₀	(41 \times n) ⁺¹ ₋₀	400	500
YF-10	—					31 ⁺¹ ₋₀	(30 \times n) ⁺¹ ₋₀ +1	160	

Please assemble the meter in the center of the panel if you need continuous assemble.
 Or please contact and discuss with us if you need to continuous assemble more than 10 units.

* n = unit of meter