

The compact fault and status monitoring system. Remote monitoring by communication output.

Purpose

The alarm information is displayed and output by this system when the fault signal is input from the protective relay and others. You can use the system as a status annunciator. The signal can be transmitted to the central monitoring system using the optional communication output.

Features

Conventional relay circuit, alarm and indicator lamp are all integrated in this system to realize the economical space use and reduction of wiring works.

Input: 10 voltage inputs (8 fault (status) input and 2 external operation input)

Alarm outputs has OR outputs for a major fault (BELL), minor fault (BUZZER) and 8 input, and you can chose automatic reset or manual reset.

OMRON relay MY2-02 with a large contact capacitance is used for the alarm output.

You can set the four patterns of the operation modes (combination of major fault/minor fault and status indication on/off) for each input.

Two kinds of communication protocols can be used by selection.

Protocol A: Same as the protocol A of Multi meter.

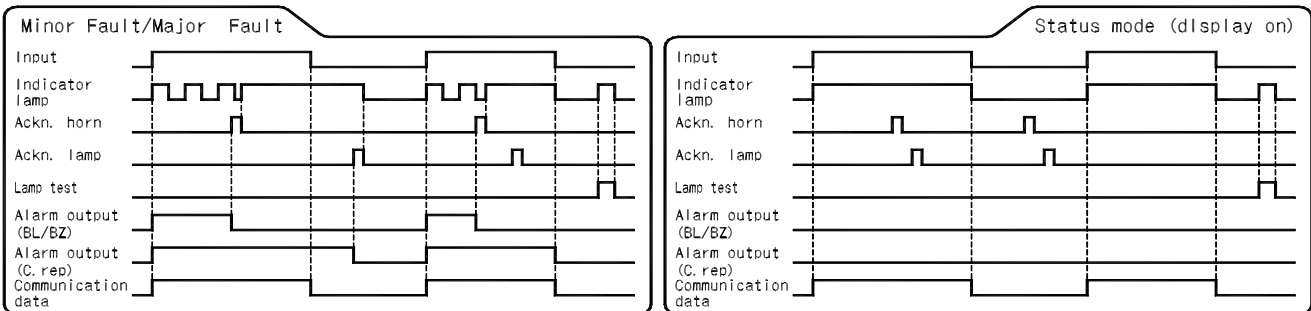
Protocol E: FSA-96 original protocol. Data can be transmitted at regular intervals without being controlled by the upper sequencer. Communication time can be reduced when more than one machine are connected.



FSA - 96

(96 × 96 × 162mm)

Alarm Sequence



Specification

Item	Specification		
Input	Fault input or status input	8	AC100/110V Power specification.....Input voltage: AC 85 ~ 125V
	Ackn. horn(Alarm stop or Flicker stop)	1	DC100/110V Power specification.....Input voltage: DC 85 ~ 125V
	Ackn. lamp(Display reset)	1	DC24V Power specification.....Input voltage: DC20 ~ 30V
Output	Alarm output(BL, BZ, C. rep.)	3	DC110V, 0.6A DC24V, 2A (Resistance load) DC110V, 0.2A DC24V, 2A (cos φ=0.4 L/R=7ms)
	Communication output (Option)	1	EIA RS-485 Start-Stop system Half-duplex 2W Maximum 31 machines are connectable.
Indicator	Fault indicator: Red LED	8 in total	
	Status indicator: Amber LED		
Auxiliary power supply	AC100/110V 12VA or DC100/110V 7W or DC24V 8W of your choice.		
Name seal	Name seal(30mm×9mm) is prepared by customers.		

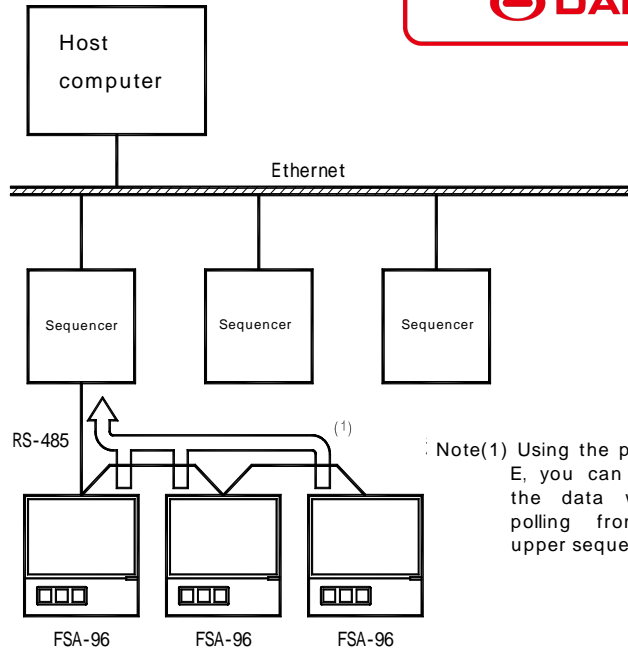
Type and specification code configuration

FSA- 96

Auxiliary power supply	Option	Indicator pattern	Stop switch
------------------------	--------	-------------------	-------------

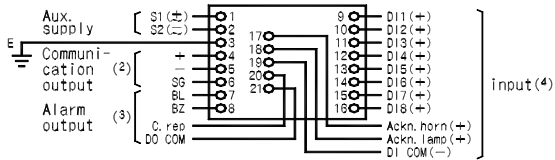
Specification code		Specification	
No.	Item	Code	Specification
	Auxiliary power supply	1	AC100/110V
		2	DC24V
		3	DC100/110V
		Z	Others
	Option	0	Without communication output
		1	With communication output
	Indicator pattern	1	DI 1~8(Fault indicator: Red)
		2	DI 1~6(Fault indicator: Red) DI 7,8(Status indicator: Amber)
		3	DI 1~4(Fault indicator: Red) DI 5~8(Status indicator: Amber)
		4	DI 1,2(Fault indicator: Red) DI 3~8(Status indicator: Amber)
		5	DI 1~8(Status indicator: Amber)
		Z	Others
	Stop switch name	1	Alarm stop
		2	Flicker stop

Example of the central monitoring system



Note(1) Using the protocol E, you can collect the data without polling from the upper sequencer.

Connection diagram (With communication output option)

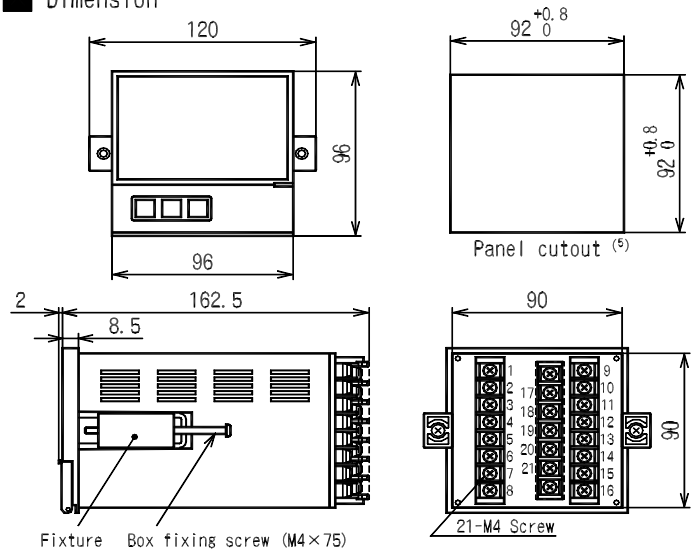


Notes (2) Since this machine does not have a built-in termination resistance, you have to connect a termination resistance (100Ω) between the terminal 4 and 5 when this is the terminal of the transmission.

(3) The ground of an alarm output is common.

(4) The ground of an input is common.

Dimension



Notes(5) The cutout needs more than 27mm margin from the neighboring machine.

Safety information



CAUTION

You need the technical knowledge to use this product. Please refer to the operation manual and handle this product properly.

Please confirm the connection diagram thoroughly before connecting.

Don't perform any connection in a hot line without turning off the power supply in advance, otherwise an electric shock accident, troubles or burning of the unit, a fire, gas explosion, or other very dangerous accidents may occur.

DAIICHI ELECTRONICS CO., LTD.

Head office Address; 1-11-13, Hitotsuya, Adachi Ward, Tokyo 121-8639

Tokyo business office TEL; 03(3885)2411

FAX; 03(3858)3966

Kyoto business office Address; 1-19 Nishigawara, Ichinobe, Joyo City, Kyoto 610-011

TEL; 0774(55)1391

FAX; 0774(54)1353

<http://www.daiichi-ele.co.jp>

Contents of this brochure may be changed without noticing due to the performance improvement or other reasons.