

Power Factor Meter (Transducer Type) - FPK

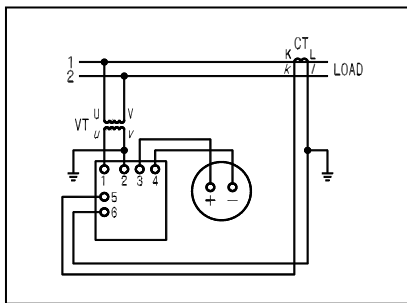
POWER FACTOR METER ⁽¹⁾

Application	Type	Rating ⁽²⁾	Consumption VA		Accessory (Transducer)
			Voltage side	Current side	
Single phase	FPK-7C-12 5C-12	110V, 5A(1A) 220V, 5A(1A)	1VA	1VA	PT-62M-12 ⁽⁴⁾
			2VA	2VA	
3 phase (balanced)	FPBK-7C-33 5C-33	110V, 5A(1A) 220V, 5A(1A)	Each phase 1VA	Each phase 1VA	PBT-62M-33 ⁽⁴⁾
			Each phase 2VA	Each phase 2VA	
3 phase (unbalanced)	FPK-7C-33 ⁽³⁾ 5C-33	110V, 5A(1A) 220V, 5A(1A)	Each phase 1VA	Each phase 1VA	PT-63M-33 ⁽⁴⁾
			Each phase 1VA	Each phase 2VA	
3 phase 4-wire (balanced)	FPBK-7C-34 5C-34	110V, 5A(1A) 220V, 5A(1A)	Each phase 1VA	Each phase 1VA	PBT-62M-34 ⁽⁴⁾
			Each phase 2VA	Each phase 2VA	
3 phase 4-wire (unbalanced)	FPK-7C-34 ⁽³⁾ 5C-34	110V, 5A (1A) 220V, 5A (1A)	Each phase 1VA	Each phase 1VA	PT-64M-34 ⁽⁴⁾
			Each phase 2VA	Each phase 2VA	

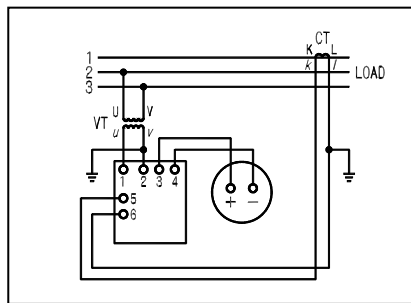
Note:

- ⁽¹⁾ Standard scale: Lead0.5~1~Lag0.5. Scale for 3 phase 3-wire only: Lead0~1~Lag0
(Effective measuring range: Lead0.3~1~Lag0.3 also can manufacture)
Please specify frequency (50Hz or 60Hz) for all type except 3 phase balanced circuit.
- ⁽²⁾ When above rating is exceeds, please external CT or VT respectively to meter 110V, 5A (1A).
Useble voltage range: 110V: 90~130V, 220V: 180~260V.
Please use in positive phase sequence.
- ⁽³⁾ 3 phase (unbalanced), 3 phase 4-wire (unbalanced) is voltage balanced
- ⁽⁴⁾ Please refer to next page for dimension accessory (Transducer)

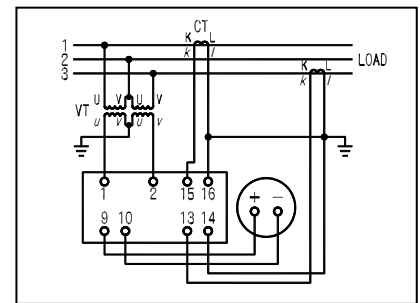
Connection Diagram (If make a mistake on phase sequence, it becomes error)



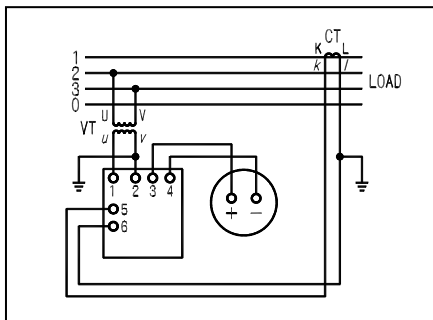
Single Phase Power Factor Meter
External with PT-62M-12



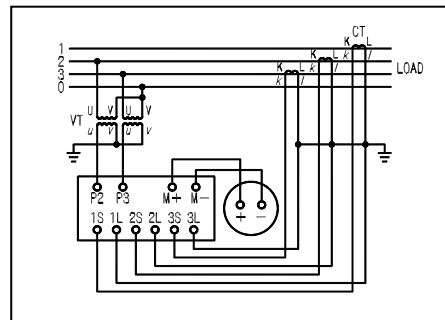
3 Phase Balanced Power Factor Meter
External with PBT-62M-33



3 Phase unbalanced Power Factor Meter
External with PT-63M-33



3 Phase 4 wire (balanced) Power Factor Meter
External with PBT-62M-34



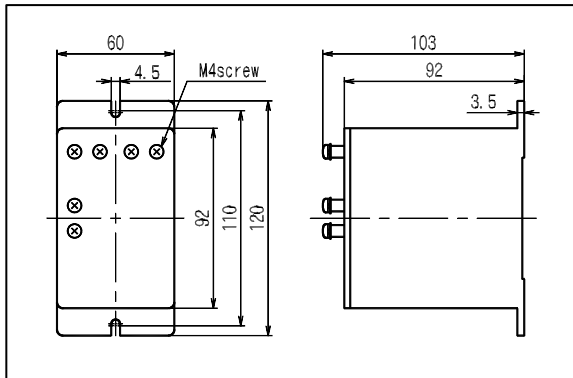
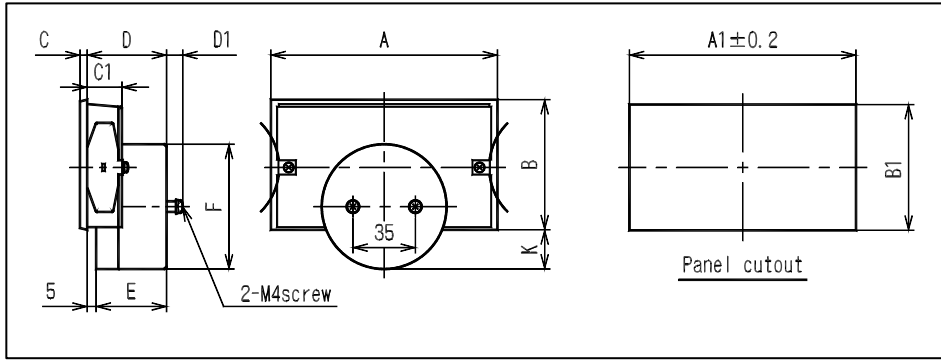
3 Phase 4 wire unbalanced Power Factor Meter
External with PT-64M-34

Type		A	A1	B	B1	C	C1	D	D1	E	F	K
FPK-7C	FP(B)K-7C	127	121	73	70.5 ±0.2	4	19.5	45	10	40	70 Φ	22
FPK-5C	FP(B)K-5C	100	97	57	55 ^{+0.2} _{-0.1}	4	20	36	10	31	53 Φ	21.5

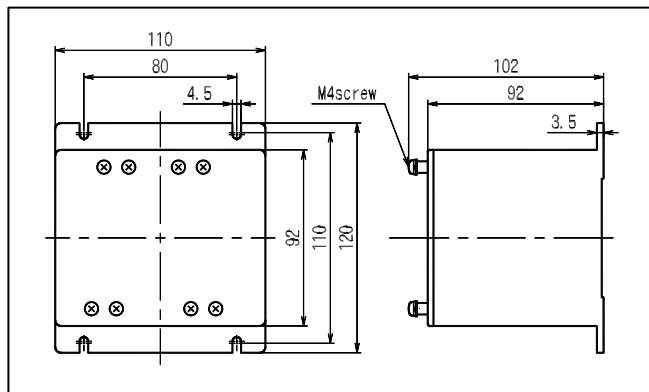
Type	Weight (g)
FPK-7C	Below 1120
FPK-5C	Below 1060

Power Factor Meter (Transducer Type) - FPK

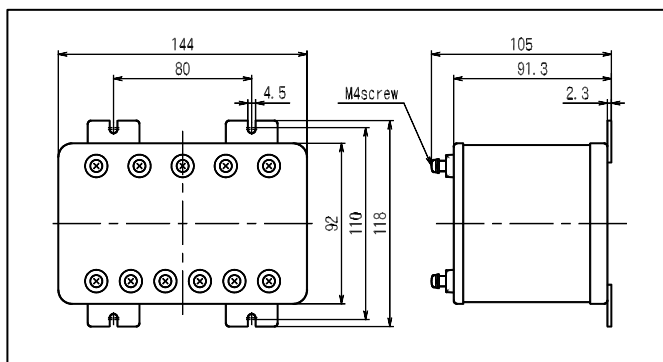
Dimension



Dimension For Type: PT-62M, PBT-62M



Dimension For Type: PT-63M



Dimension For Type: PT-64M

Frequency Meter (Transducer Type) - FAK

Rated Voltage	Measurement Range	Consumption VA	Accessory (Transducer)	Voltage Change Range
		FAK-7C, 5C		
110V ⁽²⁾	45 ~ 55Hz 55 ~ 65Hz 45 ~ 65Hz 350 ~ 450Hz ⁽¹⁾	1.7VA	FT-62M	90 ~ 130V
220V ⁽²⁾	45 ~ 55Hz 55 ~ 65Hz 45 ~ 65Hz 350 ~ 450Hz ⁽¹⁾	2.5VA	FT-62M	180 ~ 260V

Note:

⁽¹⁾ Special frequency measurement range also can manufacture (until 1000Hz)

⁽²⁾ Useable voltage range: 110V: 90~130V, 220V: 180~260V.

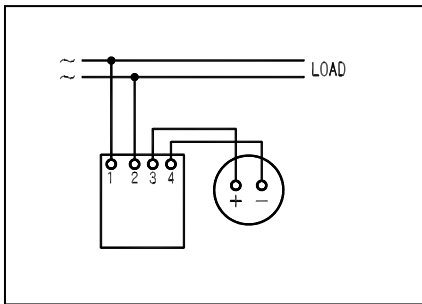
Please contact with us for manufacture above rated voltage or voltage change range.

For SCR Wareform Meter

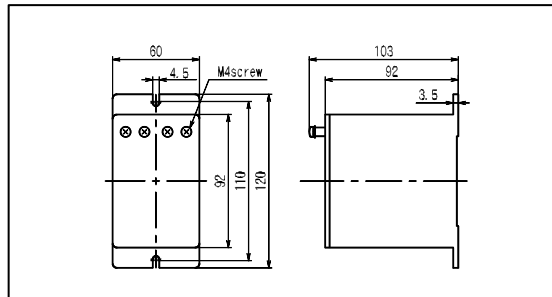
Meter SCR wareform input (Distortion wareform) also can manufacture.

Type Name: LAK-□CH

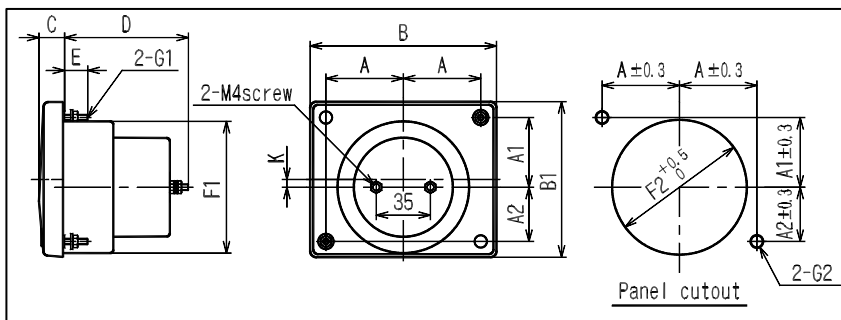
Connection Diagram



Dimensions for Type: FT-62M



Dimensions



Type	A	A1	B	B1	C	C1	D	D1	E	F	K
FAK-7C	127	121	73	70.5 ± 0.2	4	19.5	45	10	40	70 Φ	22
FAK-5C	100	97	57	55 ^{+0.2} _{-0.1}	4	20	36	10	31	53 Φ	21.5

Type	Weight (g)
FAK-7C	720
FAK-5C	660