

AC Ammeter (Rectifier Type) - FCK

AMMETER

Max. Scale Value	Approx. Internal Resistance or Consumption VA	Accessory
	FCK-7C, 5C	
100μA	5kΩ	-
500μA	1.5kΩ	
1mA	800Ω	
3mA	350Ω	
5mA	300Ω	
10mA ~ 300mA ⁽¹⁾⁽²⁾	0.5VA	
350mA ~ 100A ⁽¹⁾	1VA	MR-CTN

Note:

⁽¹⁾ When 100A or 650V circuit voltage is exceeds, please external current transformer (CT) to meter 5A (0.1A, 1A).

⁽²⁾ External overcurrent protection to ammeter 10mA or less also can be manufacture.

▶ Extended scale meter also can be manufacture. (External with AT-62M, input until 15A only.)

▶ For high frequency ware. Can be manufacture until 10 kHz. Please specify it.

For Cycle Control Waveform Meter

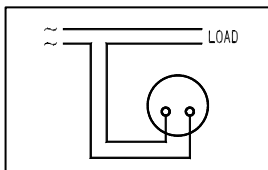
Please use cycle control for cycle control waveform. (Type name: FCTK-□CC, external with AT-62MEC)

For Distorted Wareform Meter (Approx. RMS value rectifier method)

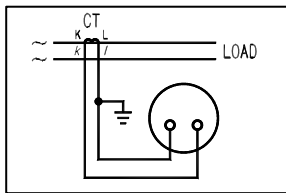
Keep in mind please, that standard rectifier type will affected by waveform distortion.

d Please use approx. RMS value rectifier method for third harmonics mixed waveform and SCR waveform
(Type: FCTK-□C, external with AT-62ME)

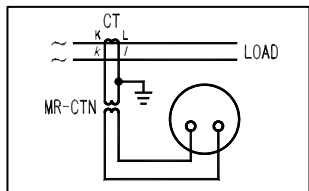
Connection Diagram



Ammeter

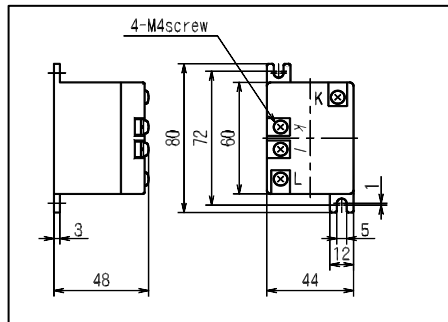
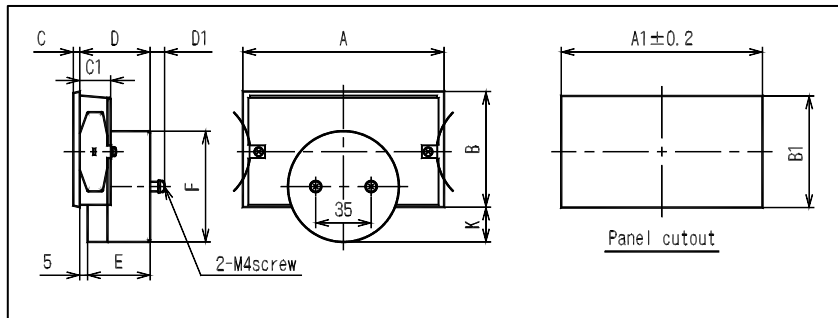


Ammeter with CT or MR-CTN

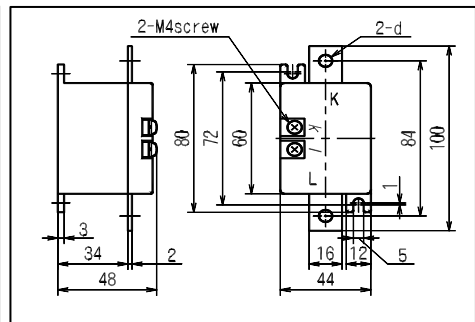


Ammeter with CT and MR-CTN

Dimension



MR-CTN (0.35~25A/10mA)



MR-CTN (30~100A/20mA)

* Please reference to next page for Dimensios AT-62ME, AT-62MEC & VT-62ME, VT-62MEC

Type	A	A1	B	B1	C	C1	D	D1	E	F	K	Weight (g)	Current (A)	d
FCK-7C	127	121	73	70.5 ±0.2	4	19.5	45	10	40	70 Φ	22	320	30~70	Φ 6.5
FCK-5C	100	97	57	55 ^{+0.2} _{-0.1}	4	20	36	10	31	53 Φ	21.5	220	75~100	Φ 8.5

Voltmeter (Rectifier Type) - FCK

VOLTMETER

Max. Scale Value	Consumption Current	Accessory
	FCK-7C, 5C	
3V ~ 600V	1mA	—
750V ⁽¹⁾ ~ 25kV	1mA	Series resistance

Note:

⁽¹⁾ When 600V is exceeded, series resistance will external to meter 1mA.

Please refer the size at Instrument accessory.

► For high frequency ware. Can be manufacture until 10 kHz. Please specify it.

For Cycle Control Waveform Meter

Please use cycle control for cycle control waveform. (Type name: FCTK-□CC, external with VT-62MEC)

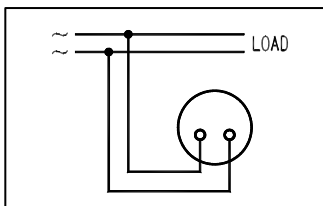
For Distorted Waveform Meter (Approx. RMS value rectifier method)

Keep in mind please, that standard rectifier type will affected by waveform distortion.

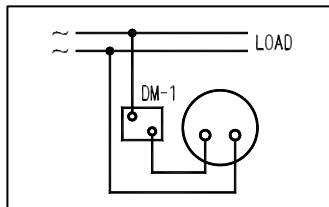
Please use approx. RMS value rectifier method for third harmonics mixed waveform and SCR waveform.

(Type: FCTK-□C, external with VT-62ME)

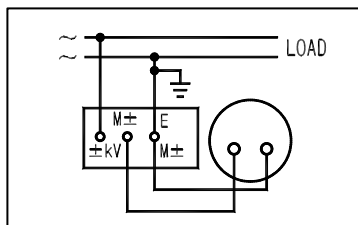
Connection Diagram



Voltmeter

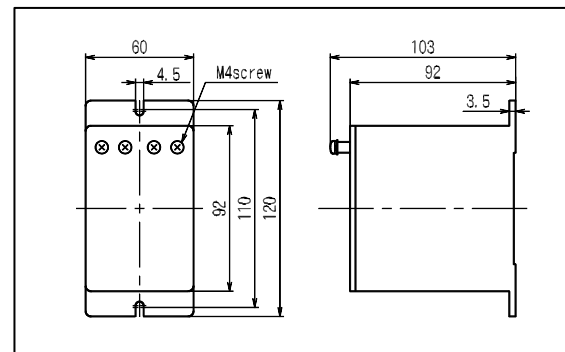
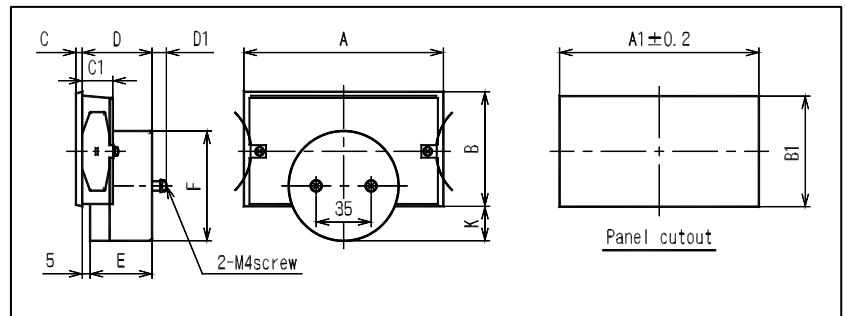


Voltmeter external series resistor (DM-1)



Voltmete external series resistor (DM-2~25)

Dimensions



Dimensions For Type:

AT-62ME, AT-62MEC, VT-62ME, VT-62MEC

Type	A	A1	B	B1	C	C1	D	D1	E	F	K	Weight (g)
FCK-7C	127	121	73	70.5 ± 0.2	4	19.5	45	10	40	70 Φ	22	320
FCK-5C	100	97	57	55 ^{+0.2} _{-0.1}	4	20	36	10	31	53 Φ	21.5	220