

Instrument Accessory

Direct Current Shunt & Resistor Series

SHUNT



Shunt is possible to combine with mill voltmeter for measuring a large current.

There are 2 types wire connection with insulating stand & bus bar connection can use depending on the magnitude of the current.

FEATURES

▶ High reliability & high performance shunt.

This product is compliance with:

JIS C-1721-1976 standard.

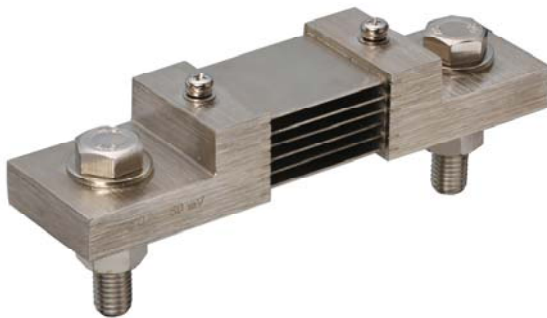
Class: 1.0

Tolerance: $\pm 1.0\%$

▶ Continuous excitation current have set at 80% or less on the rated value.

▶ We have 2sets voltage terminal DSW type.

▶ Also have 3sets output terminal DST type for consideration of the heat dissipation and avoid rise in the temperature.



RESISTOR SERIES

External with resistor series is possible to combine with milliampere meter for measuring a large voltage.

FEATURES

▶ High reliability & high performance resistor series.

▶ There are 7 types from DM-1 (750V) until DM-25 (25kV) can use depending on the magnitude of the voltage.

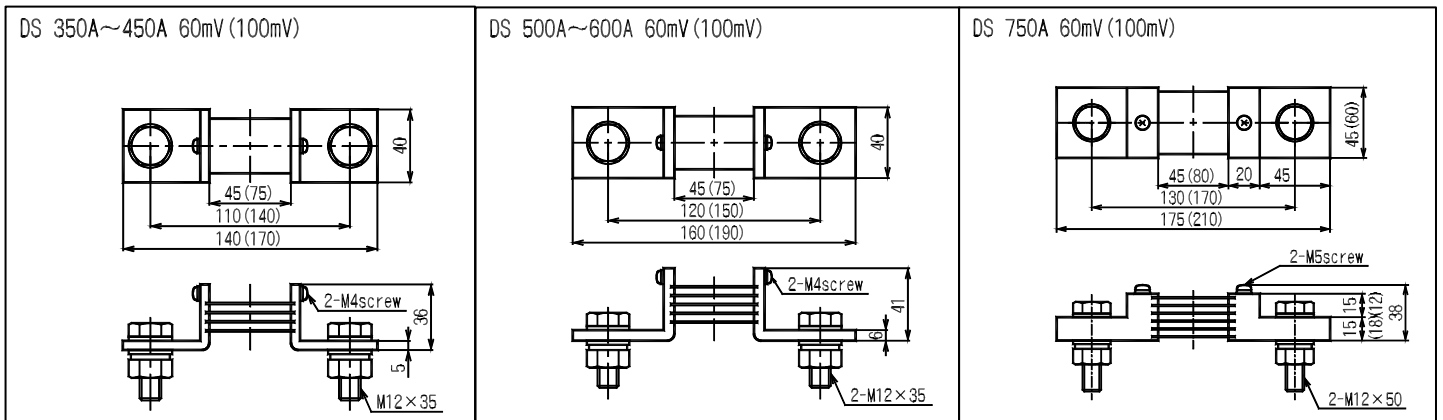
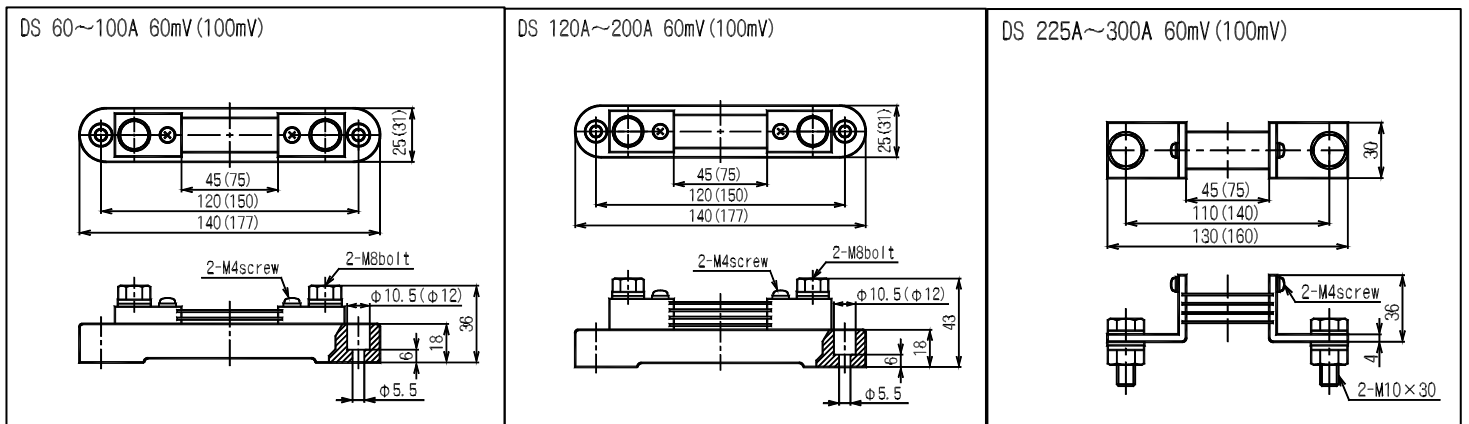
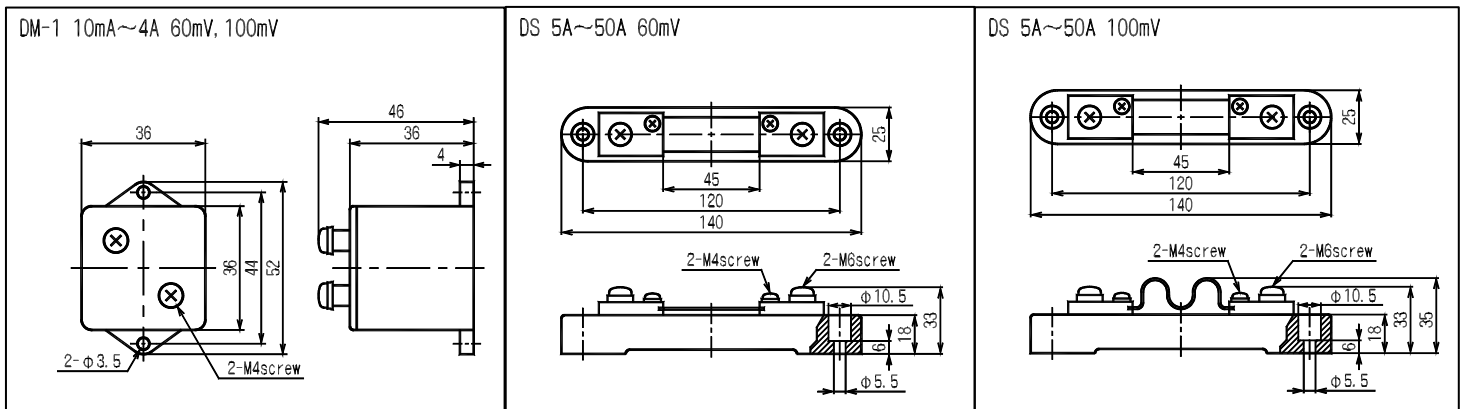
▶ DM-2~25 will built-in the measures against open resistor.



DC SHUNTS

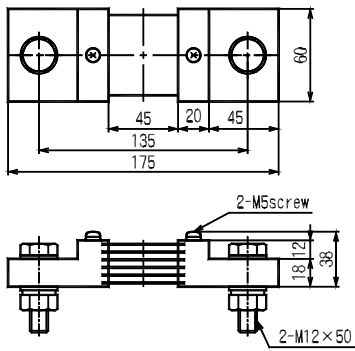
For DC Shunts

- ◆ Shunts type DS, DSW and DST is compliance with standard JIS (JIS C-1721-1976).
Continuous excitation current is 80% or less of the range value.
Please consultation with us when specification overload capacity or other is different.
- ◆ Standard for shunts terminal voltage is 60mV and 100mV, Please refer to diagram at below and specify it.
- ◆ Power consumption of shunt is (Current) X (Millivolt) which becomes larger in proportionality of the rated current.
- ◆ Please attach especially a large current shunt in consideration of radiation to make the minimize temperature rise of a resistor part.
- ◆ Please clamping enough the connection of the electric wire, so that contact resistance becomes small.
- ◆ Pay attention not to make a contact between current terminal and voltage terminal electrically to prevent error.

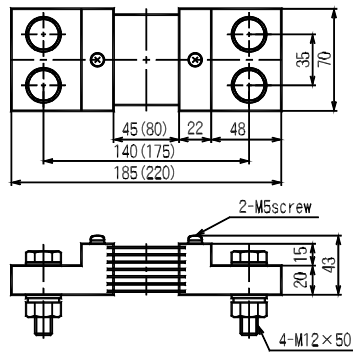


DS SHUNTS

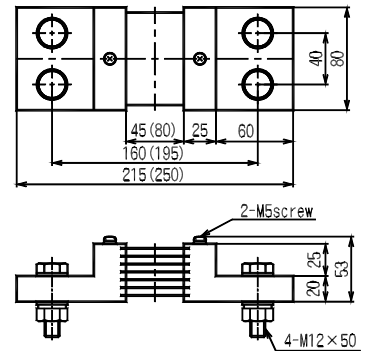
DS 1000A 60mV



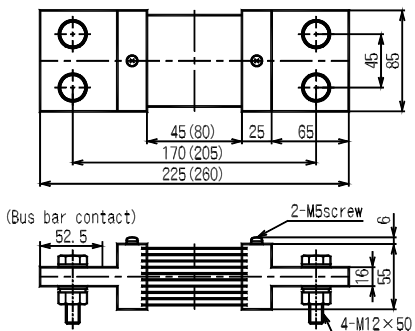
DS 1500A 60mV (1000A 100mV)



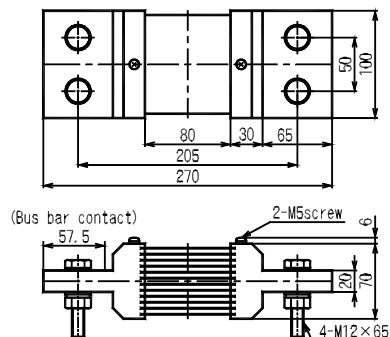
DS 2000A 60mV (1500A 100mV)



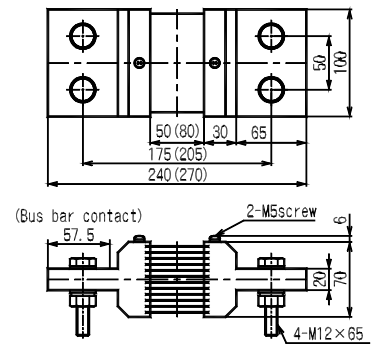
DS 2500A 60mV (2000A 100mV)



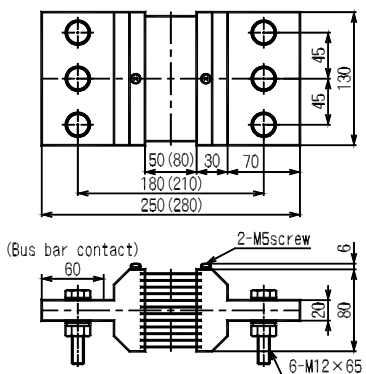
DS 2500A 100mV



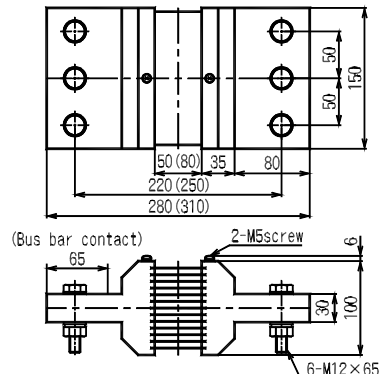
DS 3000A 60mV (100mV)



DS 4000A 60mV (100mV)



DS 5000A 60mV (100mV)

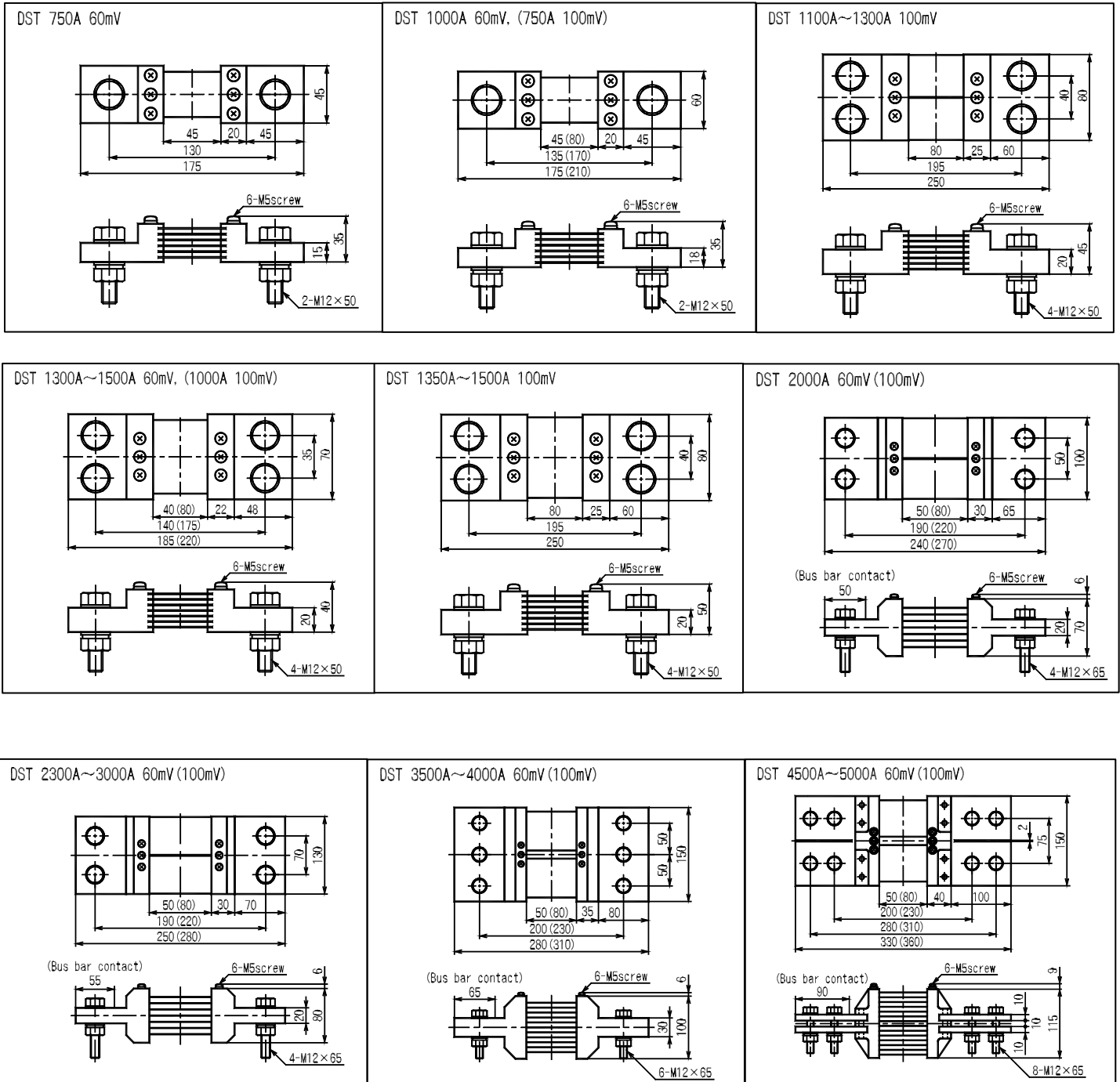


- ◆ Please consultation with us when 5000A is exceeding.
- ◆ Please inform us if the load resistance value is less than 900A (by our indication meter type name)
- ◆ Please specify the item as below when make order
 - 1) Type Name
 - 2) Input (A)/ output (mV)
 - 3) Option (with or without shunt stand etc.)

DS SHUNTS

For DST Type Shunt

- ◆ Standard JIS C 1721-1976.
- ◆ Standard shunt terminal voltage is 60mV and 100mV, other voltage also can manufacture please request.
- ◆ There are 3 sets output terminal.
- ◆ Manufactured this product in consideration of the heat dissipation avoid rise in the temperature.

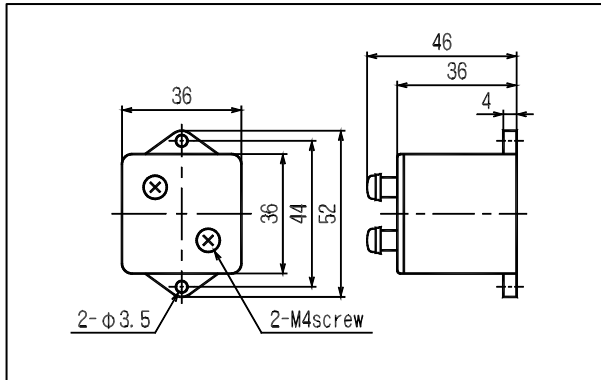


- ◆ Please consultation with us when 5000A is exceeded.

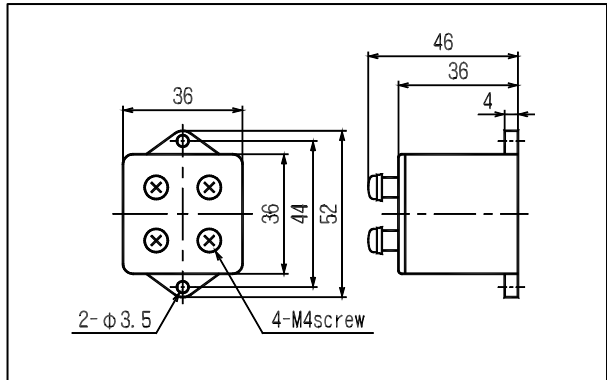
RESISTOR SERIES

External with Resistor Series

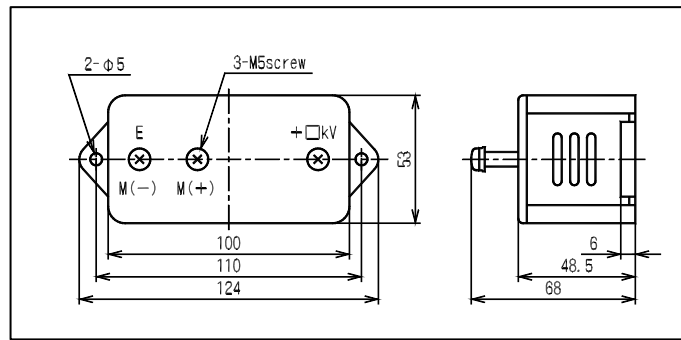
DM – 1 (Below 1000V)



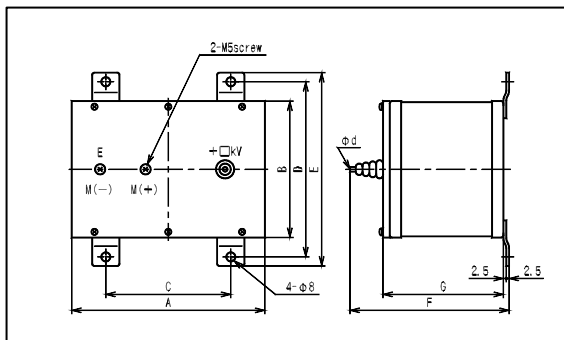
DM – 1T (Rectifier built in)



DM – 2 (Below 2500V)



DM – 5, 10, 15, 20, 25 (5~25kV)



Type Name	Rated	A	B	C	D	E	F	G	d
DM – 5	5000V	170	120	110	154	170	140	106	4
DM – 10	10kV	220	160	140	194	210	140	106	4
DM – 15	15kV	290	210	200	248	264	190	146	5
DM – 20	20kV	390	260	300	294	310	220	176	5
DM – 25	25kV	500	330	400	356	372	280	236	5