

# DIGITAL MEASURING INSTRUMENT

## DIGITAL COUNTER – DE2600



### APPLICATION

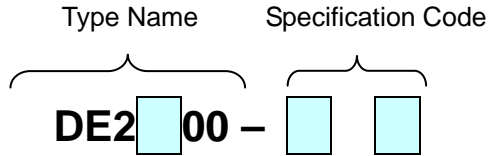
This product is a digital counter which received pulse signal of various sensors and display intergration. Display max. up to 6-digit can be manufactured by 3 colour (red / green / orange). Graphic panel and 15mm Mosaic panel mounting is possible.

### FEATURES

- ▶ Initialization of enumerated value is possible.
- ▶ Decimal point setting is possible.
- ▶ Manual reset from front or reset by external signal is possible.
- ▶ Data is guaranteed during power outage by nonvolatile memory, maintenance of backup power is unnecessary.
- ▶ This product is possible to install by 15mm Mosaic panel in one-touch. (Sell separately is necessary)

# DIGITAL COUNTER – DE2600

## TYPE NAME



<b>Digit display</b>
6: 6-digit display (Max. display 999999)
5: 5-digit display (Max. display 99999)
4: 4-digit display (Max. display 9999)
3: 3-digit display (Max. display 999)

<b>Colour Display</b>
R: Red colour LED display
G: Green colour LED display
S: Orange colour LED display

<b>Type of input</b>
0: No voltage 1 N.O. contact OR open collector input
1: DC24V voltage input

## SELL SEPARATELY

### LPDSA install reinforcing metal, LPDSA install spacer, LPDSA install spring

Kind of Mosaic panel, separately installation is necessary for install reinforcing metal, spacer, install spring. (2pcs of spring spacer is necessary for 1-unit DE2600)

Item	Type	Install panel	15mm Mosaic installation of KCC&Co. Ltd		15mm Mosaic installation of SEIWA Electric Co.,Ltd	
			One-touch	Half-tile slide	One-touch	Half-tile slide
Accessories	LPDSA install metal & screw		-		-	
Sell separately	LPDSA-6 install reinforcing metal	*1	-		-	
	LPDSA spacer	-			-	-
	LPDSA install spring *2	-		-		-

\*1, Please use impact strength if 294m/s<sup>2</sup> is exceed when it is necessary.

\*2, Please use when installing one-touch.

## OPTION

Name engrave, unit engrave is possible, please specify it when making order.

### ITEM TO SPECIFY WHEN MAKING ORDER

1. Type model & specification code
2. Auxiliary power DC24V
3. Option (name & unit sculpture)
4. Quantity

<b>EX.)</b>	
1. Type model & specification code:	DE2600-R0
2. Auxiliary Power	: DC24V
3. Option (unit sculpture)	: kWh
4. Quantity	: 1pcs

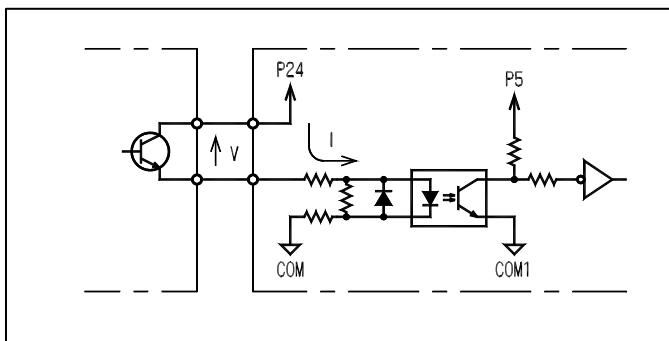
# DIGITAL COUNTER – DE2600

## SPECIFICATIONS

ITEM		SPECIFICATION	
Input	Input signal	Non-voltage 1 N.O. contact OR open collector (Relay ON: 1-count; Open collector transistor ON: 1-count)	Select either by specification code
		Voltage input (1-count when voltage is applied)	
	Drive voltage & current	DC24V, 10mA	
	Max. enumeration speed	10cps	
	Min. pulse width	ON time: 50ms, OFF time: 50ms	
Count system	1-pulse 1-count		
Reset	Input signal	Non-voltage 1 N.O. contact OR open collector (Relay On: reset ; Open collector transistor ON: reset)	Select either by specification code
		Voltage Input (1-reset when superimposed voltage)	
	Drive voltage & current	DC24V, 10mA	
Min. pulse width	ON time: 50ms		
Auxiliary Power		DC24V ±10% 2.0W or less	
Display	Red color	Red color 7-segment LED, Character height: 10.16mm	Select either by specification code
	Green color	Green color 7-segment LED, Character height: 10.16mm	
	Orange color	Orange color 7-segment LED, Character height: 10.16mm	
	Max. display digit	Max. 6-digit display	
	Reset engrave	Character height: 3mm, sculpture on filter upper right (standard)	
	Name engrave	Character height: 4mm, sculpture on filter upper center (option)	
	Unit engrave	Character height: 5mm, sculpture on filter lower right (option)	
Memory system during Power outage	Backup by nonvolatile memory (replacement time: 100,000 time or more)		
Operating temperature & humidity range	0~+55 , 20~90% RH		
Storage temperature limit	-20~+70		
Color of appearance	BOX	Black (Munsell N1.5)	
	Front filter	Red LED: Red N-030 (Antireflection has been processed) Green, Orange LED: Gray smoky N-217 (Antireflection has been processed)	
Weight	Approx. 200g		

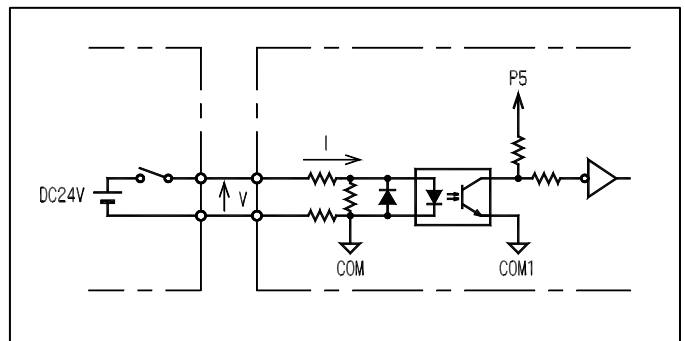
## INPUT SIGNAL DRIVE

1 N.O. contact non-voltage or open collector



Voltage contact or transistor ON: L = 0~3V  
Voltage contact or transistor OFF: H = 10~24V

Voltage Input



Voltage input: DC24V±10%

# DIGITAL COUNTER – DE2600

## PERFORMANCE

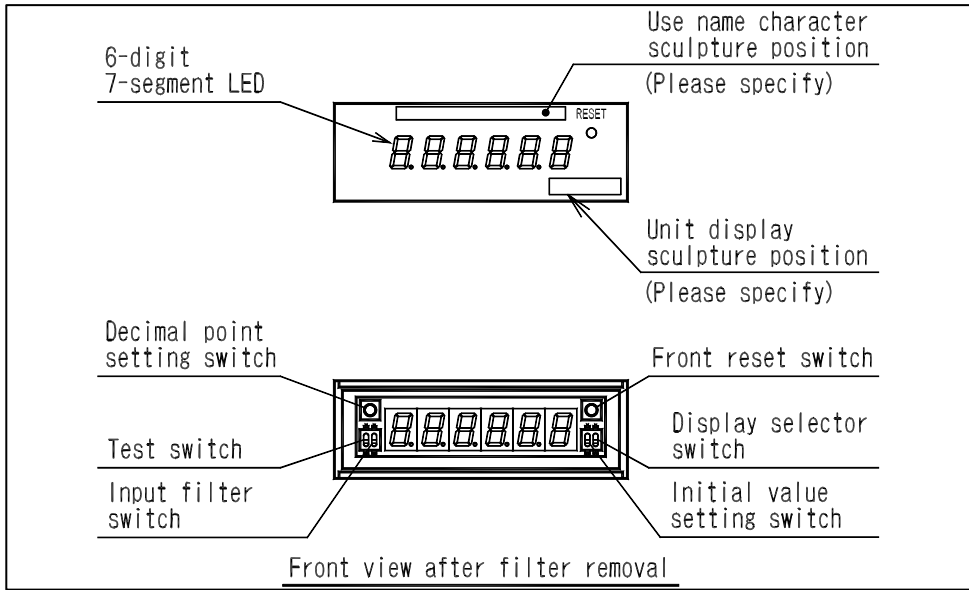
Item		Specification	
Highest calculation speeds		Highest calculation speeds: 100cps No error counts	
Enumeration input & reset		Non-voltage 1 N.O. contact OR Open connector input	ON detection: 0~3V, OFF detection: 10~24 No error count
		Voltage input	DC24V, ±10% No error count
Influence of aux. power		DC24V, ±10% No error count	
Influence of temperature		Change at 0~55 and no error count	
S t r e n g t h	Overload	Calculation input & reset	1.5-time (10sec), 1.2-time (continuation) of DC24V (power input only)
		Auxiliary power	1.5-time (10sec), 1.2-time (continuation) of DC24V
	Vibration	Vibration: 16.7Hz, Double amplitude: 1mm(5.88m/S <sup>2</sup> ) of vibration X,Y,Z direction each 2-hour	
	Shock	Shock: 294m/S <sup>2</sup> for forward reverse X,Y,Z direction each 2-hour	
	Insulation resistance	Between electric circuit and outer case	50MΩ or more at DC500V megger
	Withstand voltage	Between electric circuit and outer case	AC500V (50/60Hz) 1min
	Impulse withstand voltage	Between electric circuit and mounting panel	5kV, 1.2/50μs, positive/ negative polarity each 3-time

## TERMINOLOGY

- \*1, Input signal: Non-voltage 1 N.O.contact, open collector input or voltage input (specify it at specification code)
- \*2, Drive voltage & current:  
 When non-voltage 1 N.O.contact or open collector  
 (terminal voltage which generated when contact or transistor OFF and flowing current when ON)  
 When voltage input (voltage and load current is generated between terminal when voltage ON)
- \*3, Highest calculation speeds: Highest speed by normal operation when calculation is operated. Unit is by cps.  
 (counts between of 1-sec.)
- \*4, Min. pulse width: Min. pulse width to input can be normally read. Please secure both ON · OFF is 50ms or more.
- \*5 Reset: Adjusted the calculation display value to 0.
- \*6, Front reset: Manual reset from front
- \*7, External signal reset: Reset by external signal
- \*8, Memory system during power outage: When power outage, calculation display is memorized in the nonvolatile memory. It becomes a count data before the power outage when the power is recovery.

# DIGITAL COUNTER – DE2600

## PART OF NAMES AND FUNCTIONS



	Name	
1	6-digit, 7-segment LED	Display the input value and initial value etc. (light off when power outage)
2	Use name sculpture position	Carve name of the calculation display position. (option: specify when make order)
3	Unit display sculpture position	Carve display unit of calculation (option: specify when make order)
4	Decimal point setting switch	Every press decimal point setting switch, decimal point position will move from low-digit to high-digit.
5	Test switch	Can confirm the indication value without calculation input.(every 1-sec. + 1-display) Indication value will return back to before the calculation input display value does the count improve the test function when the switch is turn OFF.
6	Input filter switch (Calculation input only)	Can change the min. pulse width of the calculation input. (Mis-count of chattering by the noise is prevented by strengthening the delay time of the input.) Switch OFF: Min. pulse width: 50ms ; Switch ON: Min pulse width: 500ms
7	Front reset switch	Press the reset switch for reset all the display calculation value.
8	Display changeover switch	7-segment LED can changeover the '6' & '9' display as below:  Switch OFF (Standard): <b>0 123456 789</b>  Switch ON: <b>0 123456 789</b>
9	Initializing switch	Set the calculation input display to initial value.

## PRODUCT SETTING BEFORE DELIVERY

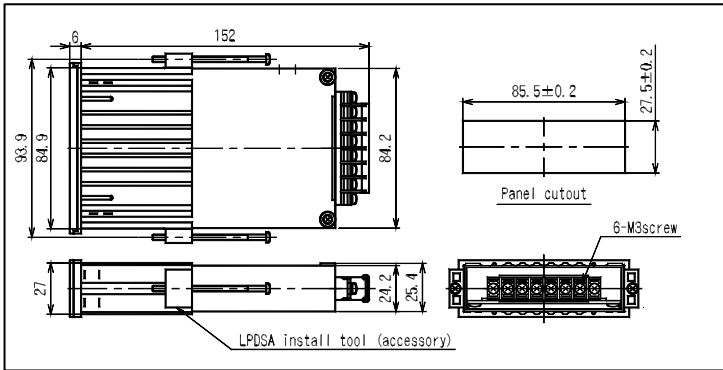
Products will delivery out with the following setting.

Item	Switch	Note
Test Switch	OFF	
Input filter switch	OFF	Min.pulse width: 50ms
Display changeover switch	OFF	-
Initial setting switch	OFF	-

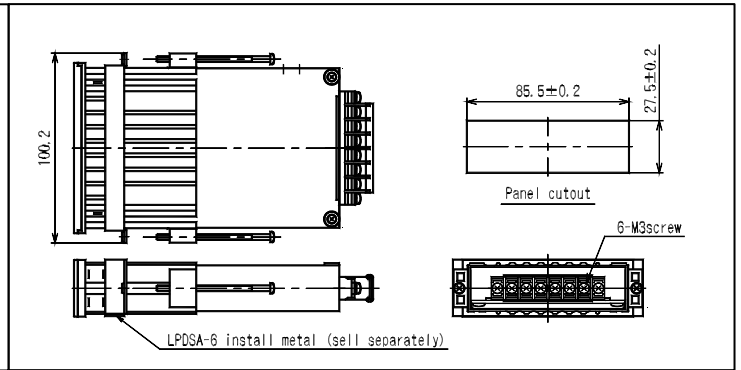
# DIGITAL COUNTER – DE2600

## OUTLINE DRAWING

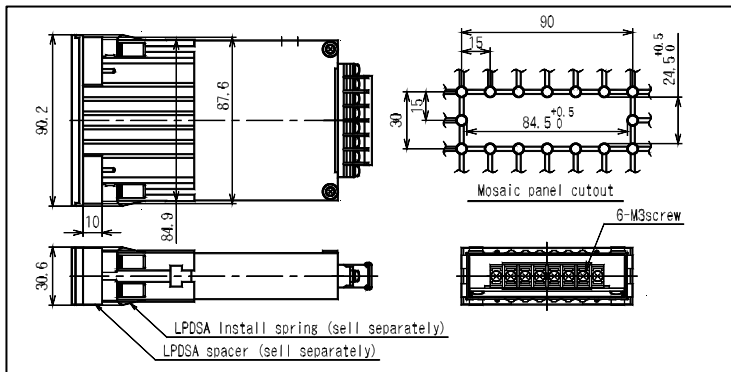
1. Tighten screw type (Standard)



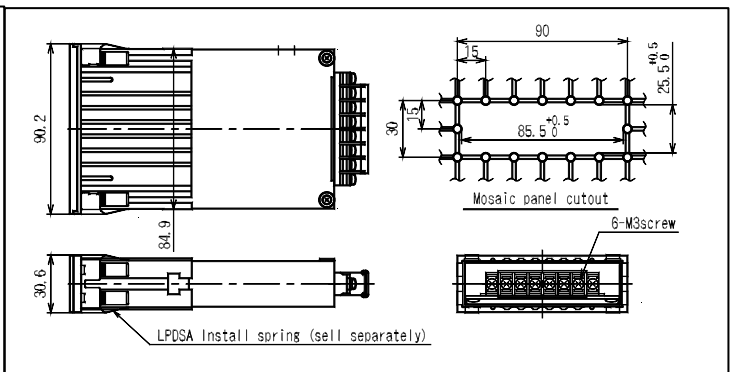
2. Tighten screw type (with install metal)



3. KCC & Co.: 15mm Mosaic One Touch Mouting

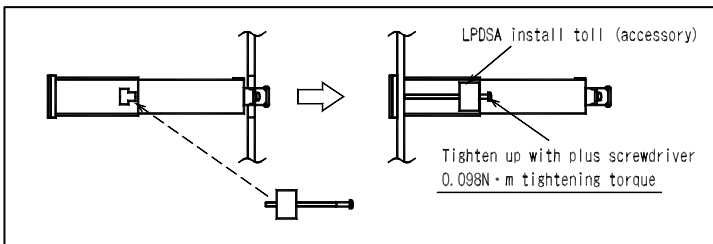


4. SEIWA Electric: 15mm Mosaic One touch Mouting

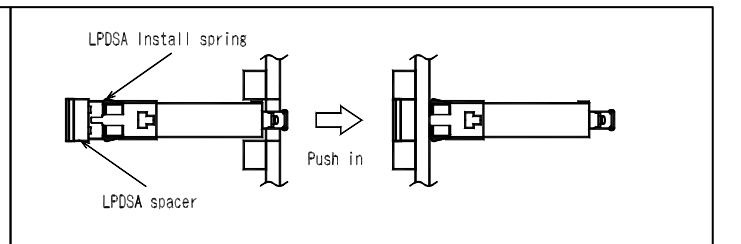


## INSTALLATION

Tighten screw type (Standard)



One Touch Mouting (Mosaic Panel)



## CONNECTION DIAGRAM

