

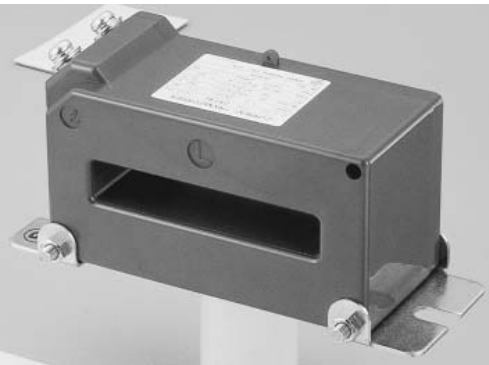
Instrument Accessory

Current Transformers (CT) & Voltage Transformers (VT)



It is possible to combine the instrument in 5A or 1A after converted by current transformer when measuring a large current.

Primary Winding Type, Circle Window Type & Square Window Type. There are 3 types can use depending on the magnitude of the current.



It is possible to combine the instrument in 110V after converted by voltage transformer when measuring a large voltage.

FEATURES

- ▶ High quality & high performance current transformer.
This product is compliance with:
JIS C-1731-1 standard Instrument current transformer &
JED-1201 standard Instrument voltage transformer.
Class: 1.0
Tolerance: $\pm 1.0\%$
- ▶ Depending to the intended use, we have few selections for current transformer & voltage transformer like mold type or dry open type can be choice.



Specification List for Current Transformers (CT) & Voltage Transformers (VT)

Instrument Transformers

- ◆ JIS C 1731-1 standard for Current Transformer & JEC-1201 standard for Voltage Transformer
- ◆ Instrument transformer have few selections depending to the intended use like mold type or dry open type etc.
- ◆ Low voltage transformer wiring work is easy & compact.
- ◆ Please use epoxy resin mould type for high insulation spacificaton.

List of Current Transformers

Max. circuit voltage (V)	Construction	Insulated system	Type Name	Primary current (A)	Secondary current (A)	Rated burden (VA)	Class	Frequency (Hz)	Over current (Times)	weight (kg)
Below 1,150	Circle Window	ABS resin	CPI-1TR	5~300	* 5	10	1.0	50/60	40	0.5
		Epoxy resin Mould ABS coated	CR2-5	10~750	5	5	1.0	50/60	40	0.8
			CR2-15	10~750	5	15	1.0	50/60	40	0.7
			CR2-40	20~750	5	40	1.0	50/60	40	0.9
	Square Window	Epoxy resin Mould ABS coated	CS1-15	200~750	5	15	1.0	50/60	40	1.2
			CS1-40	200~2,000	5	40	1.0	50/60	40	1.1
	Primary Winding	ABS resin	CPX-15	5~30	* 5	15	1.0	50/60	40	0.75

- ◆ Product with mark * can be manufacture by secondary current 1A.

List of Voltage Transformers

Max. circuit voltage (V)	Construction	Insulated system	Type Name	Primary current (A)	Secondary current (A)	Rated burden (VA)	Class	Frequency (Hz)	AC Withstand voltage	weight (kg)
Below 230	Winding Type	Dry opening type	PDI-1	220	110	15	1.0	50/60	2kV, 1 min	2.2
Below 460						50				3.6
						100				3kV, 1 min
Below 460	With a fuse	Epoxy resin mould	RP-111N	220	110	50	1.0	50/60	2kV, 1 min	5.0
				440					3kV, 1 min	
			RP-112N	220	110	100	1.0	50/60	2kV, 1 min	6.0
				440					3kV, 1 min	
			RP-113N	220	110	200	1.0	50/60	2kV, 1 min	8.5
				440					3kV, 1min	

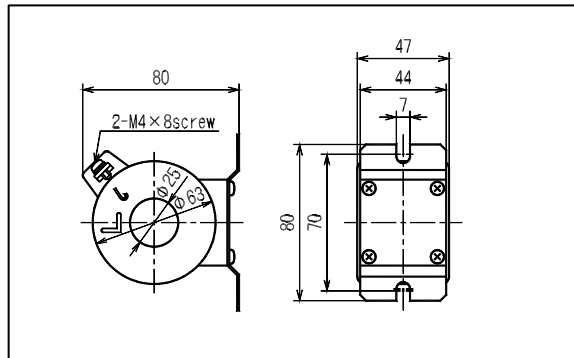
Current Transformers (CT)

Circle Window Type (Below 1,150V)

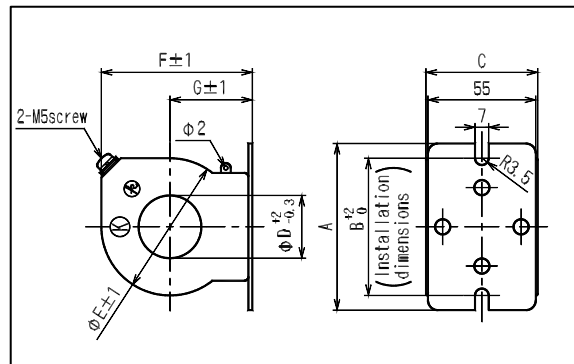
Insulated System	Type Name	Primary current (A)																						Secondary current (A)	Rated Burden (VA)
		/	5	10	15	20	25	30	40	50	60	75	80	100	120	150	200	250	300	400	500	600	750		
ABS resin	CPI-1TR	*T	24	15	10	8	6	5	4	3	3	2	2	2	1	1	1	1	1	-	-	-	-	5	10
Epoxy resin ABS coated	CR2-5	*T	-	10	8	5	4	4	3	2	2	2	-	1	1	1	1	1	1	1	1	1	1	5	5
	CR2-15	*T	-	15	10	10	6	5	5	3	4	2	3	2	2	1	1	1	1	1	1	1	1	5	15
	CR2-40	*T	-	-	-	10	8	7	5	4	4	4	3	2	2	2	1	1	1	1	1	1	1	5	40

* T = Number of primary conductor penetration.

CPI-1TR 10VA



CR2-5

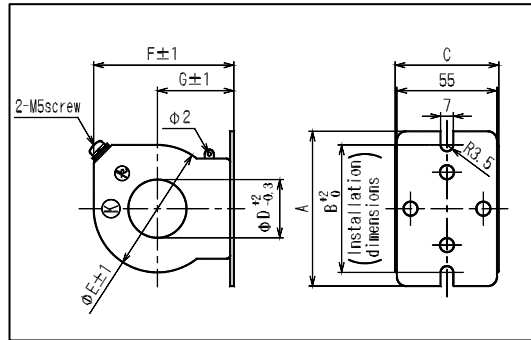


Primary Current (A)	A	B	C	ΦD	ΦE	F	G
10~200	85	70	57	23	61	70	37
240~400	85	70	55	32	70	77	42
500~750	100	85	57	50	86	93	50

Current Transformers (CT)

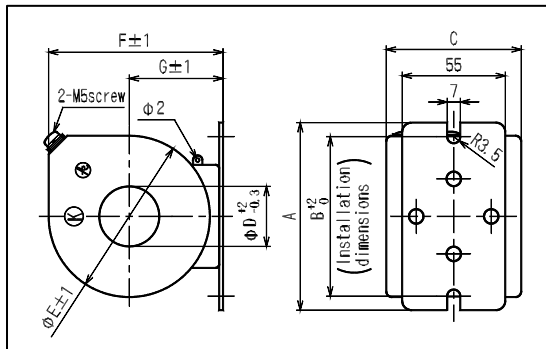
Circle Window Type (Below 1,150V)

CR2 – 15



Primary Current (A)							A	B	C	ΦD	ΦE	F	G
10	15	25	30	50	75	150	100	85	57	25	76	83	45
60	80	120	240~400				85	70	55	32	70	77	42
20	40	100	200				100	85	55	32	70	77	42
500~750							100	85	57	50	86	93	50

CP2 – 40



Primary Current (A)	A	B	C	ΦD	ΦE	F	G
20~400	100	85	72	32	86	93	50
500~750	100	85	57	50	86	93	50

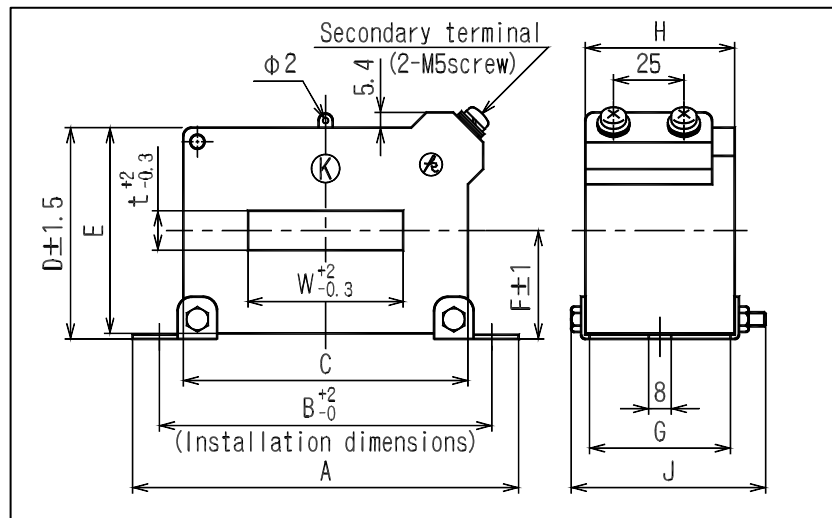
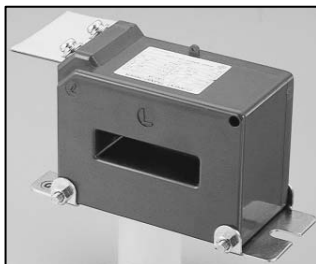
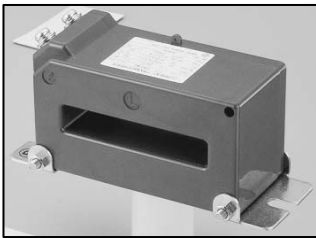
Current Transformers (CT)

Square Window Type (Below 1,150V)

Insulated System	Type Name	Primary Current (A)	Secondary Current (A)	Rated Burden (VA)	A	B	C	D	E	F	G	H	J	W	t
Epoxy resin Mould ABS coated	CS1-15	200, 300, 400, 500	5	15	137	118	101	75	73	39	50	53	69	55	14
		600, 750			150	131	114	64	62	33	50	53	69	80	14
	CS1-40	200	5	40	163	144	130	107	104	55	65	68	84	55	14
		300,400,500			137	118	101	75	73	39	50	53	69	55	14
		600, 750			150	131	114	64	62	33	50	53	69	80	14
		1,000, 1,200, 1,500, 2,000			169	150	133	82	80	42	50	53	69	105	28

◆ Fitting metal for bus bar also available (Option onerous)

CS1-15, CS1-40



Primary Winding Type

Insulated System	Type Name	Primary Current (A)	Secondary Current (A)	Rated Burden (VA)
ABS resin	CPX-15	5, 10, 15, 20, 30	5	15

CPX - 15

